

**TC-1310G**

**TC-2210G**

---

零件手册  
PARTS BOOK

直接驱动式

程序电脑花式机

DIRECT DRIVE

PROGRAMMABLE ELECTRONIC PATTERN SEWER

---



- ① 1: 厚布料 / Heavy-weight materials
- 2: 中厚布料 / Medium-weight materials

- ② S: 电磁式抬压脚 / Solenoid-type work clamp lifter
- A: 空压式抬压脚 / Pneumatic-type work clamp lifter



- ① 1: 厚布料 / Heavy-weight materials
- 2: 中厚布料 / Medium-weight materials

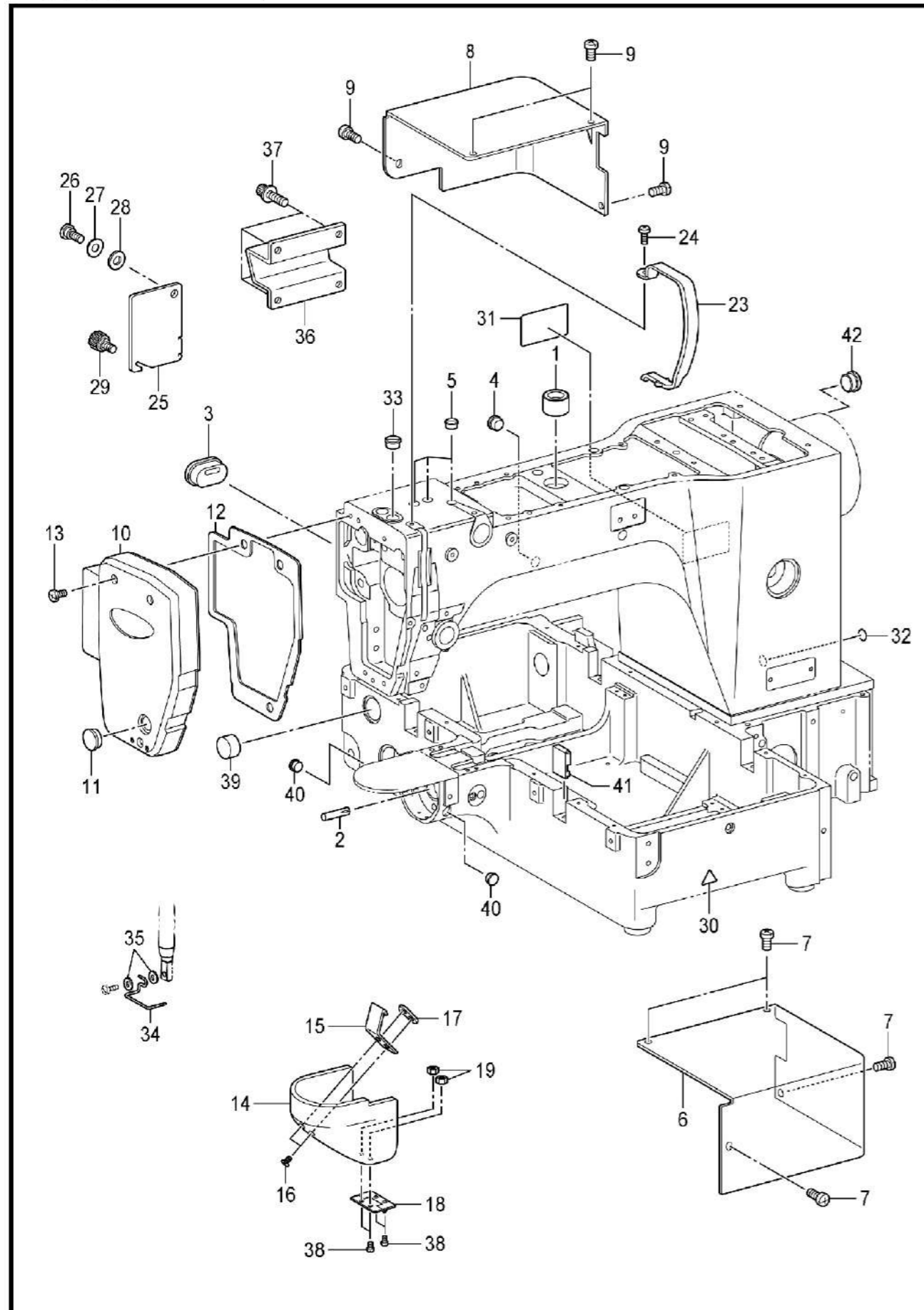
## 目 录

|                       |    |
|-----------------------|----|
| A. 机体部分 .....         | 1  |
| B. 上轴·针杆装置 .....      | 3  |
| C1. 送料装置 .....        | 5  |
| C2. 送料装置 .....        | 7  |
| C3. 送料装置 .....        | 11 |
| C4. 送料装置 .....        | 13 |
| D1. 抬压装置 .....        | 15 |
| D2. 抬压装置 .....        | 17 |
| D3. 抬压装置 .....        | 19 |
| E. 下轴装置 .....         | 21 |
| F. 供油润滑装置 .....       | 23 |
| G. 穿线装置 .....         | 27 |
| H. 卷线装置 .....         | 29 |
| J. 切线装置 .....         | 31 |
| K. 扫线装置 .....         | 35 |
| L. 松线装置 .....         | 37 |
| M1. 控制箱装置 .....       | 39 |
| M2. 控制箱装置(电源基板) ..... | 41 |
| N. 开关装置 .....         | 43 |
| P. 空压装置 .....         | 45 |
| Q. 电气部品装置 .....       | 47 |
| R. 操作盘装置 .....        | 49 |
| S. 马达装置 .....         | 51 |
| T. 踏板关系 .....         | 53 |
| U. 编程装置 .....         | 55 |
| V1. 附属装置(选购件) .....   | 57 |
| V2. 附属装置(选购件) .....   | 59 |
| Z. 附件 .....           | 61 |
| Wa. 警告标签 .....        | 65 |
| Sp. 不同规格零部件一览表 .....  | 66 |
| Ga. 工模具一览表 .....      | 68 |
| 索引 .....              | 69 |

## CONTENTS

|   |    |
|---|----|
| A. Machine body .....                         | 1  |
| B. Upper shaft and needle bar mechanism ..... | 3  |
| C1. Feed mechanism .....                      | 5  |
| C2. Feed mechanism .....                      | 7  |
| C3. Feed mechanism .....                      | 11 |
| C4. Feed mechanism .....                      | 13 |
| D1. Work clamp lifter mechanism .....         | 15 |
| D2. Work clamp lifter mechanism .....         | 17 |
| D3. Work clamp lifter mechanism .....         | 19 |
| E. Lower shaft mechanism .....                | 21 |
| F. Lubrication .....                          | 23 |
| G. Threading mechanism .....                  | 27 |
| H. Bobbin winder mechanism .....              | 29 |
| J. Thread trimmer mechanism .....             | 31 |
| K. Thread wiper mechanism .....               | 35 |
| L. Tension release mechanism .....            | 37 |
| M1. Control box mechanism .....               | 39 |
| M2. Control box (PCB) mechanism .....         | 41 |
| N. Power switch mechanism .....               | 43 |
| P. Air pressure mechanism .....               | 45 |
| Q. Power supply equipment mechanism .....     | 47 |
| R. Operation panel mechanism .....            | 49 |
| S. Motor mechanism .....                      | 51 |
| T. Foot switch pedal mechanism .....          | 53 |
| U. Programmer .....                           | 55 |
| V1. Attachment set (Option parts) .....       | 57 |
| V2. Attachment set (Option parts) .....       | 59 |
| Z. Accessories .....                          | 61 |
| Wa. Warning labels .....                      | 65 |
| Sp. Different parts list .....                | 66 |
| Ga. Gauge parts list .....                    | 68 |
| Index .....                                   | 69 |

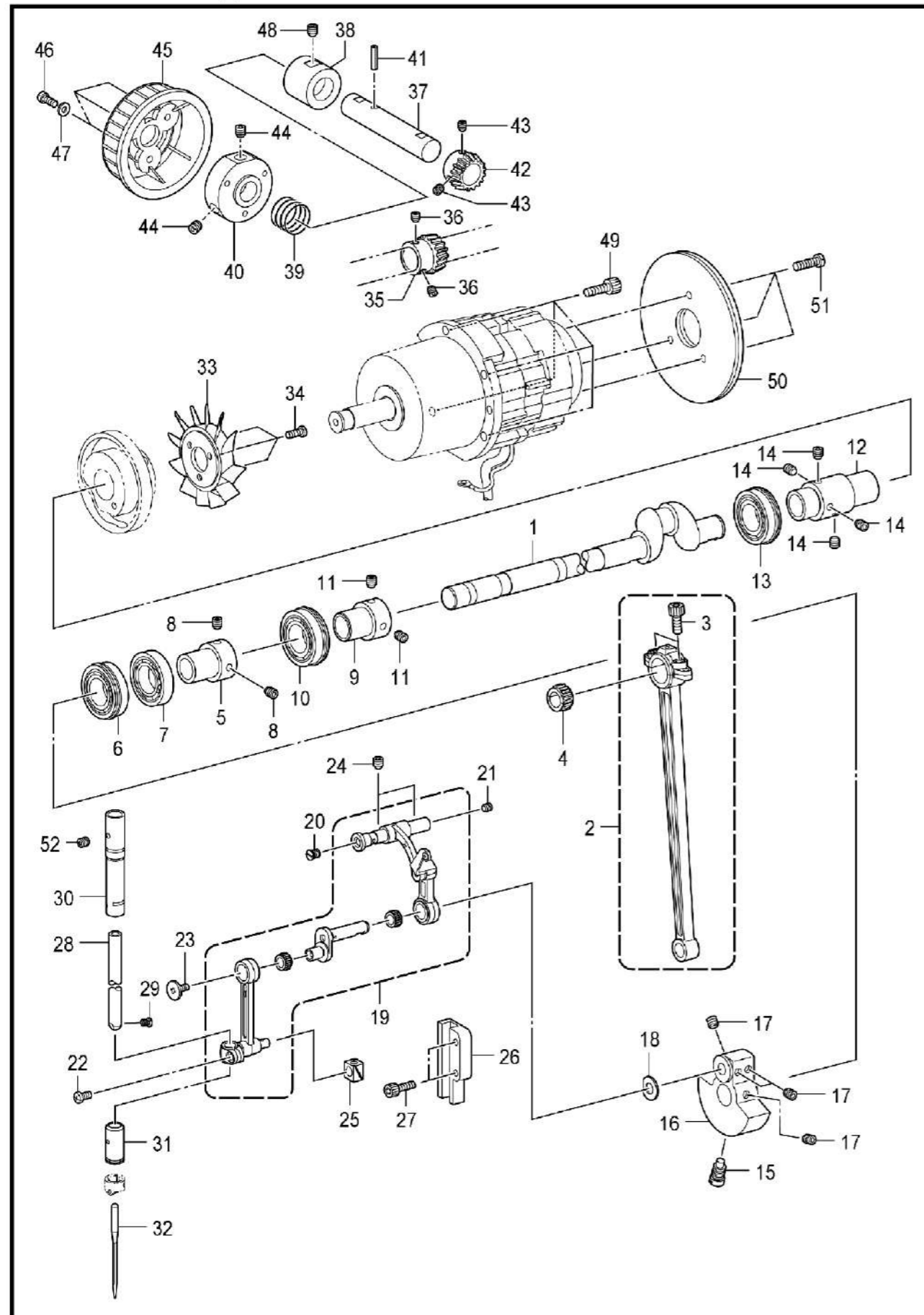
A. 机体部分 / Machine body



A. 机体部分 / Machine body

| 参照号 | 零部件序号      | 数量 | 零部件名称                   | NAME OF PARTS                                | RM |
|-----|------------|----|-------------------------|--|----|
| 1   | CSA4594001 | 1  | 轴套 U                    | BUSHING U                                    |    |
| 2   | C117608001 | 1  | 开口销                     | DOWEL PIN                                    |    |
| 3   | CSA4596001 | 1  | 橡皮塞 20-15               | RUBBER CAP 20-15                             |    |
| 4   | C117934001 | 1  | 橡皮塞 13.5                | RUBBER CAP, 13.5                             |    |
| 5   | C104821001 | 3  | 橡皮塞 10.5                | RUBBER CAP, 10.5                             |    |
| 6   | CSA4597001 | 1  | 马达盖 R                   | MOTOR COVER R                                |    |
| 7   | C062061016 | 4  | 螺钉 M6X10                | SCREW PAN M6X10                              |    |
| 8   | CSA4598001 | 1  | 马达盖 L                   | MOTOR COVER L                                |    |
| 9   | C062061016 | 4  | 螺钉 M6X10                | SCREW PAN M6X10                              |    |
| 10  | CSA4600001 | 1  | 面板                      | FACE PLATE                                   |    |
| 11  | C104449001 | 1  | 橡皮塞 15.5                | RUBBER CAP, 15.5                             |    |
| 12  | CSA4601001 | 1  | 面板垫片                    | F-PLATE PACKING                              |    |
| 13  | C062061016 | 3  | 螺钉 M6X10                | SCREW PAN M6X10                              |    |
| 14  | CSA4603101 | 1  | 大旋梭盖                    | SHUTTLE RACE COVER                           |    |
| 15  | CSA6272001 | 1  | 大旋梭盖挂钩 D                | SHUTTLE RACE COVER HOOK D                    |    |
| 16  | C004300513 | 2  | 螺钉 M3X5                 | SCREW, FLAT M3X5                             |    |
| 17  | CSA3264001 | 1  | 板螺母                     | NUT PLATE                                    |    |
| 18  | CSA6207001 | 1  | 铰链                      | HINGE  |    |
| 19  | C021300103 | 2  | 螺母 M3                   | NUT, 1 M3                                    |    |
| 23  | CSA3200101 | 1  | 挑线杆防护罩                  | THREAD TAKE-UP COVER                         |    |
| 24  | C062401006 | 1  | 螺钉 M4X10                | SCREW PAN M4X10                              |    |
| 25  | CSA4604001 | 1  | 间歇盖板                    | STEPPING COVER                               |    |
| 26  | CSA3306001 | 1  | 段螺钉 7-3                 | SHOULDER SCREW,7-3                           |    |
| 27  | C120265002 | 1  | 弹簧垫圈                    | SPRING WASHER                                |    |
| 28  | CS07350002 | 1  | 垫圈                      | WASHER PLAIN                                 |    |
| 29  | CS36475000 | 1  | 螺钉 M5                   | SCREW, M5                                    |    |
| 30  | CS36924002 | 1  | 警告标记                    | MARK, INJURY                                 |    |
| 31  | CSA0792001 | 1  | <用于日本><br>操作注意标签(日/英)   | <For Japan only><br>LABEL, CAUTION JPN/ENG   |    |
| 31  | CSA0793001 | 1  | <用于日本以外><br>操作注意标签(中/英) | <For Except Japan><br>LABEL, CAUTION CHN/ENG |    |
| 32  | CS37060001 | 1  | 接地标记                    | LABEL, GROUNDING                             |    |
| 33  | CS20164001 | 1  | 橡皮塞 13                  | RUBBER CAP, 13                               |    |
| 34  | CS02445001 | 1  | 护指器                     | FINGER GUARD                                 |    |
| 35  | C025350332 | 2  | 平垫圈 L3.5                | WASHER PLAIN L 3.5                           |    |
| 36  | CSA4605001 | 1  | 机头撑杆                    | HEAD REST                                    |    |
| 37  | CS42446001 | 4  | 螺栓 M6X14                | BOLT, SOCKET (S/P WASHER)M6X14               |    |
| 38  | C062300506 | 4  | 螺钉 M3X5                 | SCREW PAN M3X5                               |    |
| 39  | CSA6194001 | 1  | 橡皮塞 26                  | RUBBER CAP 26                                |    |
| 40  | CS44010001 | 2  | 橡皮塞 11.5                | RUBBER CAP 11.5                              |    |
| 41  | CSA6441001 | 2  | 橡皮盖                     | RUBBER CAP                                   |    |
| 42  | CS20164001 | 1  | 橡皮塞 13                  | RUBBER CAP 13                                |    |

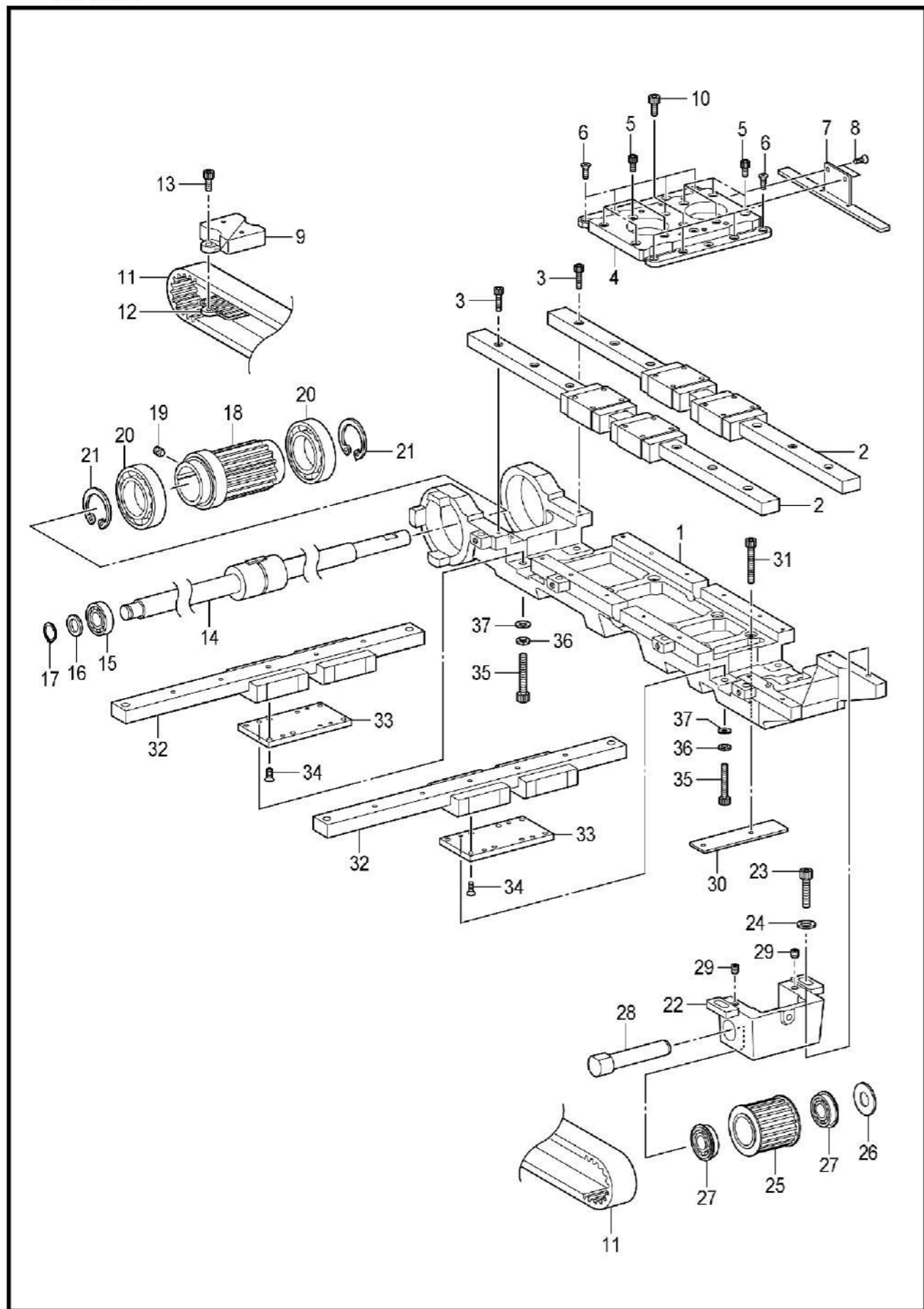
B. 上轴 · 针杆装置 / Upper shaft and needle bar mechanism



B. 上轴 · 针杆装置 / Upper shaft and needle bar mechanism

| 参照号 | 零部件序号      | 数量 | 零部件名称            | NAME OF PARTS               | RM |
|-----|------------|----|------------------|-----------------------------|----|
| 1   | CSA4606001 | 1  | 上轴               | UPPER SHUFT                 |    |
| 2   | CSA3499001 | 1  | 曲柄轴组件            | CRANK ROD ASSY              |    |
| 3   | C018501636 | 2  | 螺栓 M5X16         | BOLT SOCKET M5X16           |    |
| 4   | CSA4172001 | 2  | 滚针轴承             | NEEDLE BEARING: BLUE        |    |
| 4   | CSA4173001 | 2  | 滚针轴承             | NEEDLE BEARING: BLACK       |    |
| 4   | CSA4174001 | 2  | 滚针轴承             | NEEDLE BEARING: GRAY        |    |
| 4   | CSA4175001 | 2  | 滚针轴承             | NEEDLE BEARING: YELLOW      |    |
| 5   | CSA3206001 | 1  | 轴承套              | BALL BEARING BUSH           |    |
| 6   | CSA4179001 | 1  | 轴承 6904DDUNR     | BALL BEARING 6904DDUNR      |    |
| 7   | CSA4180001 | 1  | 轴承 R-6904DDU     | BALL BEARING 6904DDU        |    |
| 8   | CS23651001 | 2  | 固定螺钉 M8X8        | SET SCREW, SOCKET (FT) M6X8 |    |
| 9   | CSA3206001 | 1  | 轴承套              | BALL BEARING BUSH           |    |
| 10  | CSA4177001 | 1  | 轴承 6004DDUNR     | BALL BEARING 6004DDUNR      |    |
| 11  | CS23651001 | 2  | 固定螺钉 M6X6        | SET SCREW, SOCKET (FT) M6X6 |    |
| 12  | CSA4608101 | 1  | 管接头 G            | JOINT G                     |    |
| 13  | CSA4178001 | 1  | 轴承 6204DDUNR     | BALL BEARING 6204DDUNR      |    |
| 14  | CS23651001 | 4  | 固定螺钉 M6X6        | SET SCREW, SOCKET (FT) M6X6 |    |
| 15  | CS25235001 | 1  | 螺钉 M8            | SCREW, M8                   |    |
| 16  | CSA4609101 | 1  | 曲柄 G             | THREAD TAKE-UP CRANK G      |    |
| 17  | CS23651001 | 4  | 固定螺钉 M6X6        | SET SCREW, SOCKET (FT) M6X6 |    |
| 18  | C110367001 | 1  | 垫圈 8             | WASHER, PLAIN SPECIAL 8     |    |
| 19  | CSA6182001 | 1  | 针杆连杆组件 FK        | THREAD TAKE-UP LEVER FK SET |    |
| 20  | CSA2958001 | 1  | 螺钉 M5X6          | SCREW FLAT M5X6             |    |
| 21  | C012500536 | 1  | 螺钉 M5X5          | SET SCREW SOCKET (FT) M5X5  |    |
| 22  | C062400816 | 1  | 螺钉 M4X8          | SCREW PAN M4X8              |    |
| 23  | C145465001 | 1  | 螺钉 SM3.57-40X6L  | SCREW, SM3.57-40X6 L        |    |
| 24  | C012060636 | 2  | 螺钉 M6X6          | SET SCREW SOCKET (FT) M6X6  |    |
| 25  | C142211001 | 1  | 滑块               | SLIDE BLOCK                 |    |
| 26  | CSA3528001 | 1  | 滑块导向 B           | SLIDE BLOCK GUIDE           |    |
| 27  | C018401636 | 2  | 螺栓 M4X16         | BOLT SOCKET M4X16           |    |
| 28  | CSA4622001 | 1  | 针杆               | NEEDLE BAR                  |    |
| 29  | C144458001 | 1  | 螺钉 SM3.57-40X4.5 | SET SCREW, SM3.57-40X4.5    |    |
| 30  | CSA4666001 | 1  | 针杆轴套 UK          | NEEDLE BAR BUSH UK          |    |
| 31  | CSA3224001 | 1  | 针杆轴套 D           | NEEDLE BAR BUSH, D          |    |
| 32  | C* P. 67   | 1  | 机针               | NEEDLE                      |    |
| 33  | CS38713100 | 1  | 叶轮               | FAN                         |    |
| 34  | C062400816 | 3  | 螺钉 M4X8          | SCREW PAN M4X8              |    |
| 35  | CSA6108001 | 1  | 齿轮 R             | PULLEY GEAR R               |    |
| 36  | C012500536 | 2  | 螺钉 M5X5          | SET SCREW SOCKET (FT) M5X5  |    |
| 37  | CSA4626001 | 1  | 上轮轴              | PULLEY SHUFT                |    |
| 38  | CSA4627001 | 1  | 上轮轴套             | PULLEY BUSH                 |    |
| 39  | CSA4628001 | 1  | 上轮弹簧             | PULLEY SPRING               |    |
| 40  | CSA4629001 | 1  | 上轮基座             | PULLEY BASE                 |    |
| 41  | C047401242 | 1  | 弹簧销 4X12         | PIN SPRING ROLL AW4         |    |
| 42  | CSA4624001 | 1  | 齿轮               | PULLEY GEAR L               |    |
| 43  | C012500536 | 2  | 螺钉 M5X5          | SET SCREW SOCKET (FT) M5X5  |    |
| 44  | CS23651001 | 2  | 固定螺钉 M6X6        | SET SCREW, SOCKET (FT) M6X6 |    |
| 45  | CSA4630001 | 1  | 上轮               | PULLEY                      |    |
| 46  | C062401006 | 3  | 螺钉 M4X10         | SCREW PAN M4X10             |    |
| 47  | CSA5158001 | 3  | 垫圈 L4            | WASHER PLAIN L4             |    |
| 48  | C012060636 | 1  | 螺钉 M6X6          | SET SCREW SOCKET (FT) M6X6  |    |
| 49  | C018501636 | 4  | 螺栓 M5X16         | BOLT SOCKET M5X16           |    |
| 50  | CSA5230001 | 2  | 惯性轮 2            | FRIES WHEEL 2               |    |
| 51  | C062401016 | 3  | 螺钉 M4X10         | SCREW PAN M4X10             |    |
| 52  | C012060536 | 1  | 螺钉 M6X5          | SET SCREW SOCKET (FT) M6X5  |    |

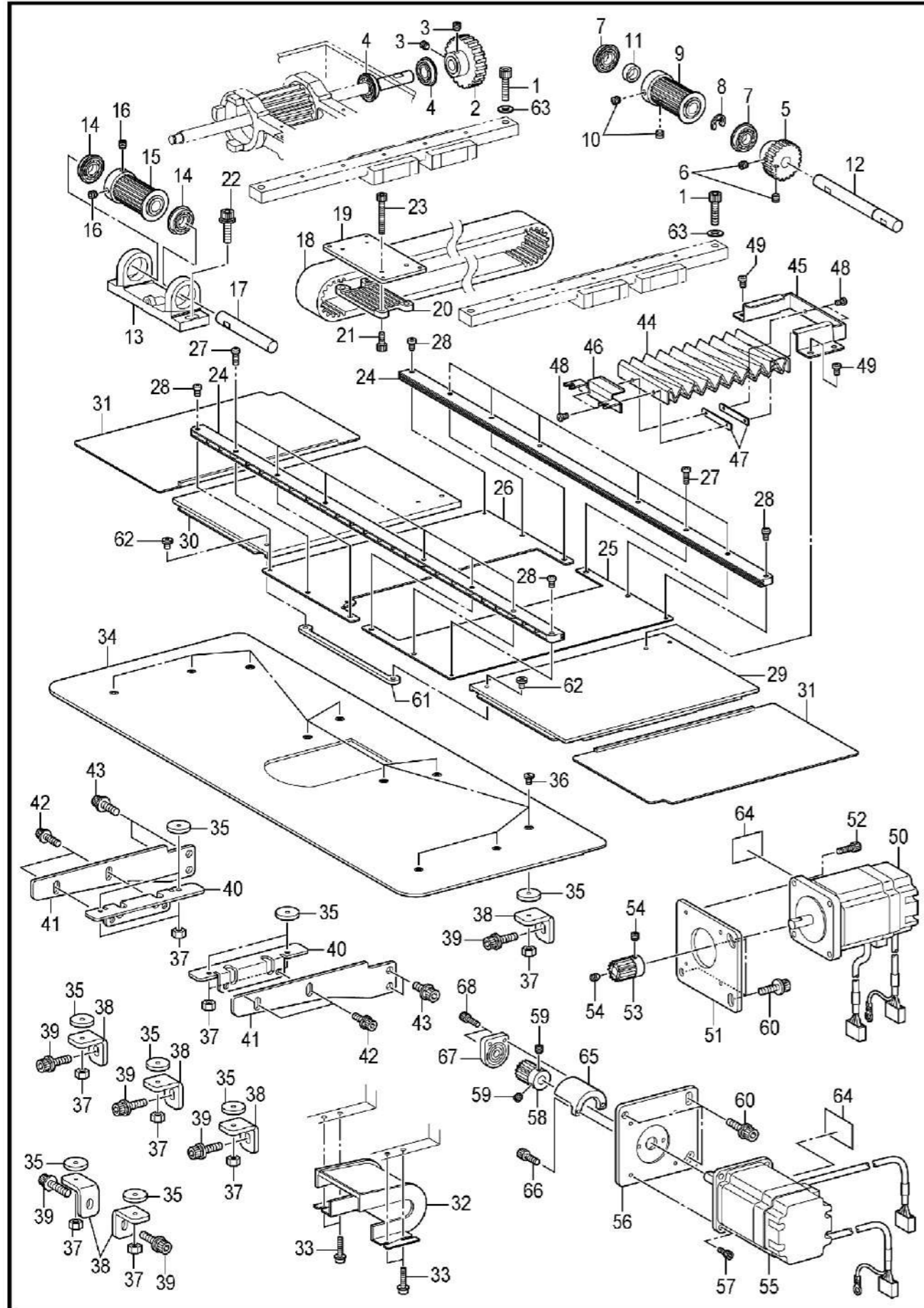
C1. 送料装置 / Feed mechanism



C1. 送料装置 / Feed mechanism

| 参照号 | 零部件序号      | 数量 | 零部件名称        | NAME OF PARTS               | RM |
|-----|------------|----|--------------|-----------------------------|----|
| 1   | CSA5229101 | 1  | 送布底座组件       | FEED BRACKET ASSY           |    |
| 2   | CSA4637001 | 2  | X-LM导向       | X-LM GUIDE                  |    |
| 3   | C018301436 | 15 | 螺栓 M3X14     | BOLT SOCKET M3X14           |    |
| 4   | CSA4635101 | 1  | 送布台 (X)      | FEED BRACKET X              |    |
| 5   | C018300636 | 8  | 螺栓 M3X6      | BOLT SOCKET M3X6            |    |
| 6   | C061300616 | 8  | 螺钉 M3X6      | SCREW FLAT M3X6             |    |
| 7   | CSA4636101 | 1  | 传感器板 (X)     | X-SENSOR PLATE              |    |
| 8   | C061300616 | 2  | 螺钉 M3X6      | SCREW FLAT M3X6             |    |
| 9   | CSA4641001 | 1  | 皮带支架 (X)     | X-BELT HOLDER               |    |
| 10  | C018400836 | 2  | 螺栓 M4X8      | BOLT SOCKET M4X8            |    |
| 11  | CSA4649001 | 1  | X-GT皮带       | X-GT BELT                   |    |
| 12  | CSA4640001 | 1  | 皮带支架板 (X)    | X-BELT HOLDER PLATE         |    |
| 13  | C018400836 | 2  | 螺栓 M4X8      | BOLT SOCKET M4X8            |    |
| 14  | CSA4639001 | 1  | 花键轴 (Y)      | Y-BALL SPLINE               |    |
| 15  | C076000600 | 1  | 球轴承 6000VV   | BALL BEARING RADIAL 6000VV  |    |
| 16  | C025100132 | 1  | 平垫圈 S10      | WASHER PLAIN S 10           |    |
| 17  | C048100142 | 1  | 轴用挡圈 C10     | RETAINING RING EXTERNAL C10 |    |
| 18  | CSA4638001 | 1  | X-左轮         | X-LEFT PULLEY               |    |
| 19  | C012060636 | 1  | 螺钉 M6X6      | SET SCREW SOCKET (FT) M6X6  |    |
| 20  | C076806606 | 2  | 球轴承 6806VV   | BALL BEARING 6806VV         |    |
| 21  | C048420242 | 2  | 孔用挡圈 C42     | RETAINING RING INTERNAL C42 |    |
| 22  | CSA4642001 | 1  | X-轮基座        | X-PULLEY BRACKET            |    |
| 23  | C018501636 | 2  | 螺栓 M5X16     | BOLT SOCKET M5X16           |    |
| 24  | C025050236 | 2  | 平垫圈 M5       | WASHER PLAIN M 5            |    |
| 25  | CSA4643001 | 1  | X-右轮组件       | X-RIGHT PULLEY ASSY         |    |
| 26  | CS20356001 | 1  | 平垫圈 10       | WASHER, PLAIN 10            |    |
| 27  | CSA4647001 | 2  | 球轴承 6900ZZNR | BALL BEARING 6900ZZNR       |    |
| 28  | CSA4648001 | 1  | X-轮支点轴       | X-PULLEY FULCRUM SHAFT      |    |
| 29  | C012060636 | 2  | 螺钉 M6X6      | SET SCREW SOCKET (FT) M6X6  |    |
| 30  | CSA4650001 | 1  | Y-传感板        | Y-SENSOR PLATE              |    |
| 31  | C018402036 | 2  | 螺栓 M4X20     | BOLT SOCKET M4X20           |    |
| 32  | CSA4651101 | 2  | Y-LM导向       | Y-LM GUIDE                  |    |
| 33  | CSA4652101 | 2  | Y-LM垫片       | Y-LM SPACER                 |    |
| 34  | C061300616 | 16 | 螺钉 M3X6      | SCREW FLAT M3X6             |    |
| 35  | C018402036 | 8  | 螺栓 M4X20     | BOLT SOCKET M4X20           |    |
| 36  | C025040236 | 8  | 平垫圈 M4       | WASHER PLAIN M 4            |    |
| 37  | C028040246 | 8  | 弹簧垫圈 2-4     | WASHER SPRING 2-4           |    |

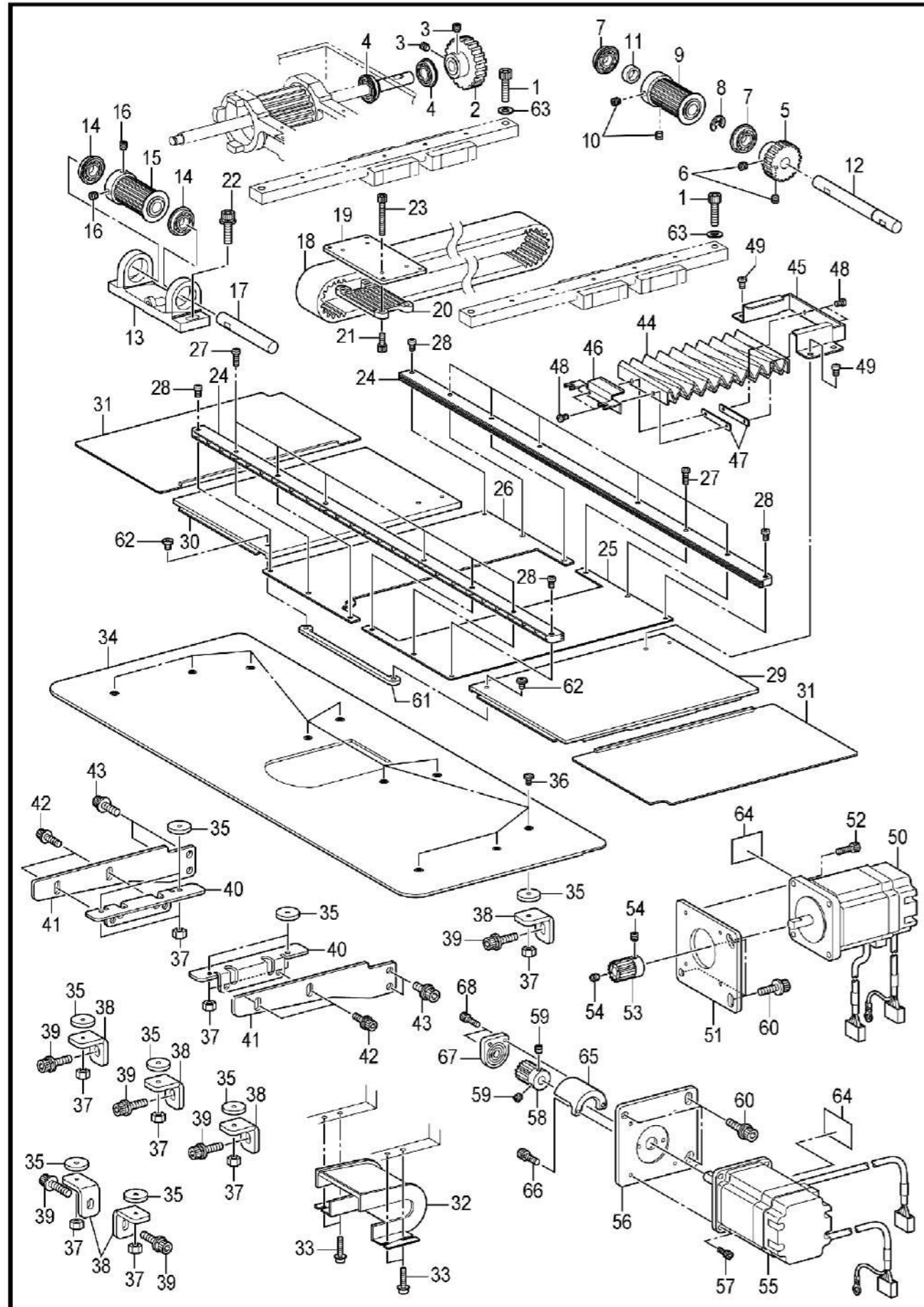
C2. 送料装置 / Feed mechanism



C2. 送料装置 / Feed mechanism

| 参照号 | 零部件序号      | 数量 | 零部件名称            | NAME OF PARTS                  | RM |
|-----|------------|----|------------------|--------------------------------|----|
| 1   | C018062036 | 4  | 螺栓 M6X20         | BOLT SOCKET M6X20              |    |
| 2   | CSA4653001 | 1  | X-送布齿轮           | X-FEED GEAR                    |    |
| 3   | C012060636 | 2  | 螺钉 M6X6          | SET SCREW SOCKET (FT) M6X6     |    |
| 4   | CSA4647001 | 2  | 球轴承 6900ZZNR     | BALL BEARING 6900ZZNR          |    |
| 5   | CSA4654001 | 1  | Y-送布齿轮           | Y-FEED GEAR                    |    |
| 6   | C012060636 | 2  | 螺钉 M6X6          | SET SCREW SOCKET (FT) M6X6     |    |
| 7   | CSA4647001 | 2  | 球轴承 6900ZZNR     | BALL BEARING 6900ZZNR          |    |
| 8   | C048080342 | 1  | 挡圈 E8            | RETAINING RING E8              |    |
| 9   | CSA4655101 | 1  | Y-轮组件            | Y-PULLEY ASSY                  |    |
| 10  | C012060636 | 2  | 螺钉 M6X6          | SET SCREW SOCKET (FT) M6X6     |    |
| 11  | CSA4658001 | 1  | Y-轮轴套            | Y-PULLEY COLLAR                |    |
| 12  | CSA4659001 | 1  | Y-驱动轴            | Y-PULLEY DRIVING SHAFT         |    |
| 13  | CSA4661001 | 1  | Y-轮基座            | Y-PULLEY BRACKET               |    |
| 14  | CSA4647001 | 2  | 球轴承 6900ZZNR     | BALL BEARING 6900ZZNR          |    |
| 15  | CSA4655101 | 1  | Y-轮组件            | Y-PULLEY ASSY                  |    |
| 16  | C012060636 | 2  | 螺钉 M6X6          | SET SCREW SOCKET (FT) M6X6     |    |
| 17  | CSA4662001 | 1  | Y-轮支点轴           | Y-PULLEY FULCRUM SHAFT         |    |
| 18  | CSA4663001 | 1  | Y-GT皮带           | Y-GT BELT                      |    |
| 19  | CSA4664001 | 1  | Y-皮带支架板          | BELT SUPPORT PLATE Y           |    |
| 20  | CSA4665001 | 1  | Y-皮带支撑板          | Y-BELT WORK CLAMP PLATE        |    |
| 21  | C018400836 | 4  | 螺栓 M4X8          | BOLT SOCKET M4X8               |    |
| 22  | CSA2972001 | 2  | 螺栓 M6X18         | BOLT, SOCKET (S/P WASHER)M6X18 |    |
| 23  | C018402036 | 4  | 螺栓 M4X20         | BOLT SOCKET M4X20              |    |
| 24  | CSA4667101 | 2  | 盖轨道              | COVER RAIL                     |    |
| 25  | CSA4671001 | 1  | 固定盖 (R)          | FIXATION R                     |    |
| 26  | CSA4672001 | 1  | 固定盖 (L)          | FIXATION L                     |    |
| 27  | C062401016 | 12 | 螺钉 M4X10         | SCREW PAN M4X10                |    |
| 28  | C062400416 | 4  | 螺钉 M4X4          | SCREW, PAN M4X4                |    |
| 29  | CSA6359001 | 1  | 内盖组件 R           | INSIDE COVER R ASSY            |    |
| 30  | CSA6360001 | 1  | 内盖组件 L           | INSIDE COVER L ASSY            |    |
| 31  | CSA6361001 | 2  | 外盖组件             | OUTSIDE COVER ASSY             |    |
| 32  | CSA4673001 | 1  | Y-皮带轮盖           | BELT COVER Y                   |    |
| 33  | C0A5401006 | 4  | 螺栓 (带垫圈) M4X10DB | SCREW PAN (S/P WASHER) M4X10   |    |
| 34  | CSA4675201 | 1  | 补助板              | AUXILIARY PLATE                |    |
| 35  | CSA4677101 | 10 | 补助板缓冲            | AUXILIARY PLATE CUSHION        |    |
| 36  | CS23849001 | 10 | 螺钉 M4X13.3       | SCREW, M4X13.3                 |    |
| 37  | C021400216 | 10 | 六角螺母 M4          | NUT 2 M4                       |    |
| 38  | CSA4676001 | 6  | 补助板支架            | AUXILIARY PLATE BRACKET        |    |
| 39  | CS42446001 | 6  | 螺栓 M6X14         | BOLT, SOCKET (S/P WASHER)M6X14 |    |
| 40  | CSA6434001 | 2  | 补助板支架 U          | SUPPORT PLATE GUIDE U          |    |
| 41  | CSA6435001 | 2  | 补助板支架 D          | SUPPORT PLATE GUIDE D          |    |
| 42  | CS55484002 | 4  | 螺栓 (带垫圈) M5X10   | BOLT, SOCKET (S/P WASHER)M5X10 |    |
| 43  | CS42446001 | 4  | 螺栓 M6X14         | BOLT, SOCKET (S/P WASHER)M6X14 |    |
| 44  | CSA4679101 | 1  | 波纹管              | BELLOW                         |    |
| 45  | CSA4680101 | 1  | 波纹管支架 R          | BELLOW PRESSER R               |    |
| 46  | CSA4681001 | 1  | 波纹管支架 F          | BELLOW PRESSER F               |    |
| 47  | CSA4682001 | 2  | 螺母               | BELLOW NUT                     |    |
| 48  | C062300416 | 4  | 螺钉 M3X4          | SCREW PAN M3X4                 |    |
| 49  | C062400416 | 4  | 螺钉 M4X4          | SCREW, PAN M4X4                |    |
| 50  | CSA4820201 | 1  | 脉冲马达组件 X         | PULSE MOTOR ASSY X             |    |
| 51  | CSA4684001 | 1  | 马达安装板            | MOTOR BRACKET PLATE            |    |
| 52  | C018401036 | 4  | 螺栓 M4X10         | BOLT SOCKET M4X10              |    |
| 53  | CSA3707001 | 1  | 驱动齿轮 16          | GEAR 16                        |    |
| 54  | C012060536 | 2  | 螺钉 M6X5          | SET SCREW SOCKET (FT) M6X5     |    |
| 55  | CSA4823101 | 1  | 脉冲马达组件 Y         | PULSE MOTOR ASSY Y             |    |
| 56  | CSA4684001 | 1  | 马达安装板            | MOTOR BRACKET PLATE            |    |
| 57  | C018401036 | 4  | 螺栓 M4X10         | BOLT SOCKET M4X10              |    |
| 58  | CSA3707001 | 1  | 驱动齿轮 16          | GEAR 16                        |    |
| 59  | C012060536 | 2  | 螺钉 M6X5          | SET SCREW SOCKET (FT) M6X5     |    |
| 60  | CS42446001 | 6  | 螺栓 M6X14         | BOLT, SOCKET (S/P WASHER)M6X14 |    |
| 61  | CSA6306001 | 1  | 盖连接板             | COVER CONNECT PLATE            |    |

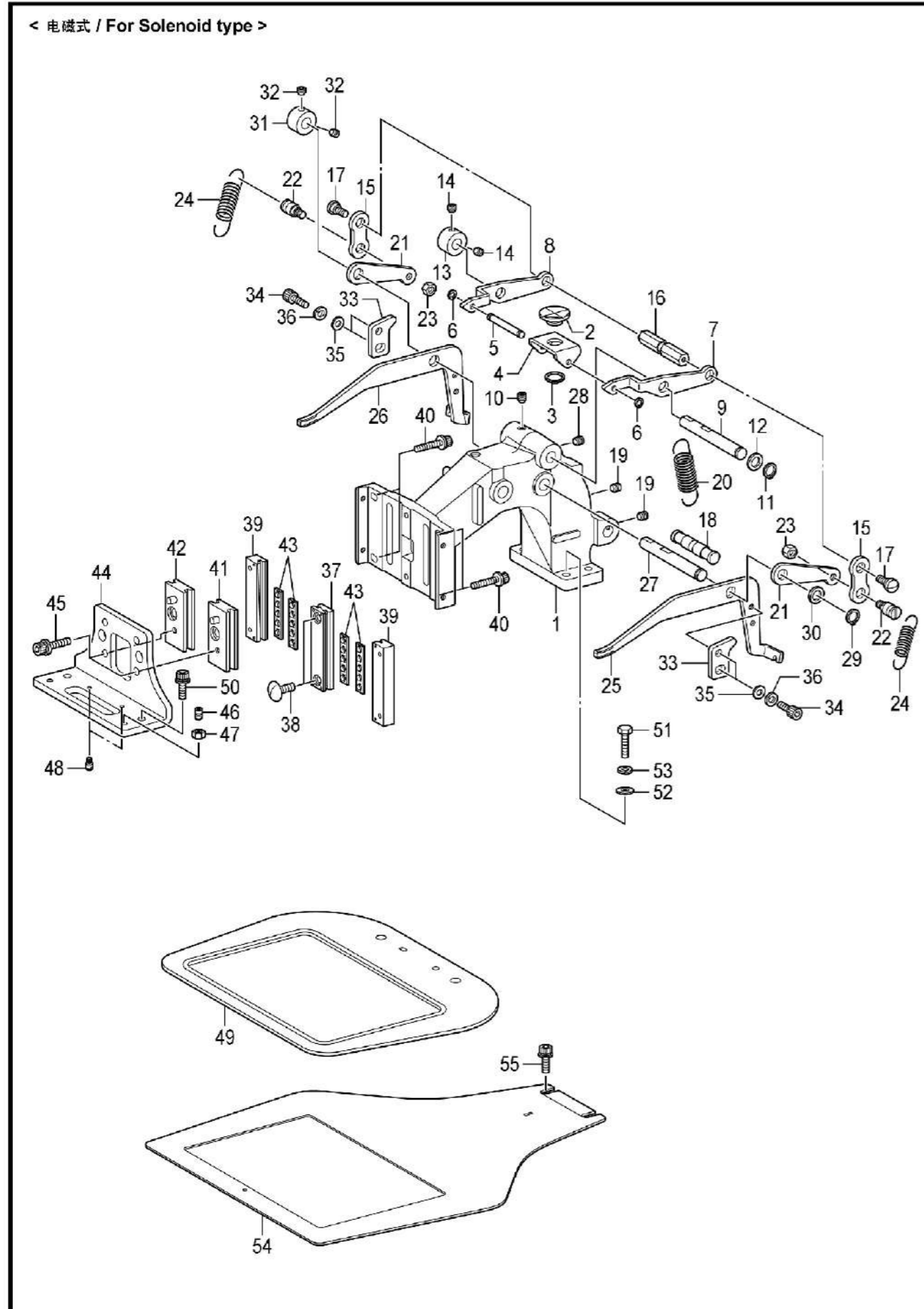
C2. 送料装置 / Feed mechanism



C2. 送料装置 / Feed mechanism

| 参照号 | 零部件序号      | 数量 | 零部件名称      | NAME OF PARTS         | RM |
|-----|------------|----|------------|-----------------------|----|
| 62  | CS23418001 | 2  | 螺钉 M4X5    | SCREW, M4X5           |    |
| 63  | C118735001 | 4  | 垫圈         | WASHER                |    |
| 64  | CSA4224001 | 2  | 注意符号 30X40 | MARK, ATTENTION 30X40 |    |
| 65  | CSA6450101 | 1  | 轴承支架座      | BEARING HOLDER BASE   |    |
| 66  | C018501036 | 2  | 螺栓 M5X10   | BOLT SOCKET M5X10     |    |
| 67  | CSA6451101 | 1  | 轴承支架组件     | BEARING HOLDER ASSY   |    |
| 68  | C018401036 | 2  | 螺栓 M4X10   | BOLT SOCKET M4X10     |    |

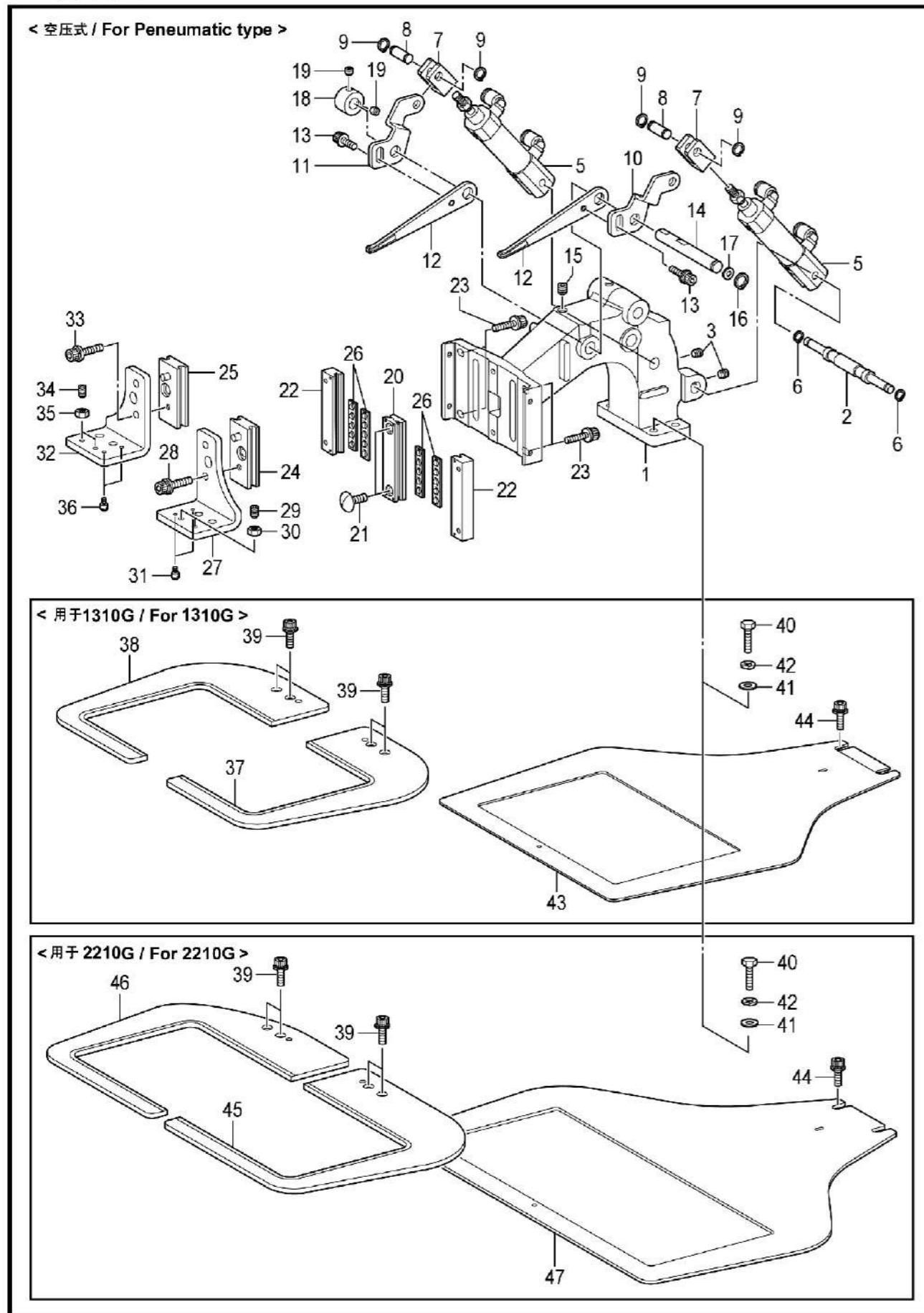
C3. 送料装置 / Feed mechanism



C3. 送料装置 / Feed mechanism

| 参照号 | 零部件序号      | 数量 | 零部件名称         | NAME OF PARTS                  | RM |
|-----|------------|----|---------------|--------------------------------|----|
|     |            |    | < 电磁式 >       | <For Solenoid type>            |    |
| 1   | CSA4686101 | 1  | 压脚臂           | WORK CLAMP                     |    |
| 2   | CSA4687101 | 1  | 滑块            | SLIDER                         |    |
| 3   | C048100142 | 1  | 轴用挡圈 C10      | RETAINING RING EXTERNAL C10    |    |
| 4   | CSA4688001 | 1  | 滑块支架          | SUPPORT SLIDER                 |    |
| 5   | CSA4689001 | 1  | 滑块支架轴         | SUPPORT SHAFT SLIDER           |    |
| 6   | C048040142 | 2  | 轴用挡圈 C4       | RETAINING RING EXTERNAL C4     |    |
| 7   | CSA4690001 | 1  | 压脚柄 R         | WORK CLAMP LIFTER LEVER R      |    |
| 8   | CSA4691001 | 1  | 压脚柄 L         | WORK CLAMP LIFTER LEVER L      |    |
| 9   | CSA4692001 | 1  | 压脚臂杆轴         | WORK CLAMP LIFTER SHAFT        |    |
| 10  | C012060636 | 1  | 螺钉 M6X6       | SET SCREW SOCKET (FT) M6X6     |    |
| 11  | C048080142 | 1  | 轴用挡圈 C8       | RETAINING RING EXTERNAL C8     |    |
| 12  | C110367001 | 1  | 垫圈 8          | WASHER, PLAIN SPECIAL 8        |    |
| 13  | CSA3231001 | 1  | 紧圈 B          | SET SCREW COLLAR,B             |    |
| 14  | C012060536 | 2  | 螺钉 M6X5       | SET SCREW, SOCKET (FT) M6X5    |    |
| 15  | CSA4696001 | 2  | 连杆            | CONNECTING ROD                 |    |
| 16  | CSA4693001 | 1  | 弹簧挂钩轴 A       | SPRING HOLDER SHAFT A          |    |
| 17  | CSA4697001 | 2  | 段螺钉 M5        | SHOULDER SCREW M5              |    |
| 18  | CSA4694001 | 1  | 弹簧挂钩轴 B       | SPRING HOLDER SHAFT B          |    |
| 19  | C012060636 | 2  | 螺钉 M6X6       | SET SCREW SOCKET (FT) M6X6     |    |
| 20  | CSA4695001 | 1  | 弹簧            | SPRING LIFT                    |    |
| 21  | CSA4698001 | 2  | 连接板           | CONNECTING LINK                |    |
| 22  | CSA4700001 | 2  | 弹簧挂钩          | WORK CLAMP SPRING HOLDER       |    |
| 23  | C021500216 | 2  | 六角螺母 M5       | NUT 2 M5                       |    |
| 24  | CSA4701001 | 2  | 弹簧            | WORK CLAMP SPRING              |    |
| 25  | CSA4702001 | 1  | 压脚臂杆 R        | WORK CLAMP LIFTER LEVER R      |    |
| 26  | CSA4703001 | 1  | 压脚臂杆 L        | WORK CLAMP LIFTER LEVER L      |    |
| 27  | CSA4692001 | 1  | 压脚臂杆轴         | WORK CLAMP LIFTER SHAFT        |    |
| 28  | C012060636 | 1  | 螺钉 M6X6       | SET SCREW SOCKET (FT) M6X6     |    |
| 29  | C048080142 | 1  | 轴用挡圈 C8       | RETAINING RING EXTERNAL C8     |    |
| 30  | C110367001 | 1  | 垫圈 8          | WASHER, PLAIN SPECIAL 8        |    |
| 31  | CSA3231001 | 1  | 紧圈 B          | SET SCREW COLLAR,B             |    |
| 32  | C012060536 | 2  | 螺钉 M6X5       | SET SCREW, SOCKET (FT) M6X5    |    |
| 33  | CSA4699001 | 2  | 定位            | STOPPER                        |    |
| 34  | C018500836 | 4  | 螺栓 M5X8       | BOLT SOCKET M5X8               |    |
| 35  | C025050236 | 4  | 平垫圈 M5        | WASHER PLAIN M 5               |    |
| 36  | C028050246 | 4  | 弹簧垫圈 2-5      | WASHER SPRING 2-5              |    |
| 37  | CSA4863001 | 1  | 压脚导向组件 A      | WORK CLAMP GUIDE A ASSY        |    |
| 38  | CS23849001 | 2  | 螺钉 M4X16      | SCREW, M4X16                   |    |
| 39  | CSA4864001 | 2  | 压脚导向组件 B      | WORK CLAMP GUIDE B ASSY        |    |
| 40  | CS55482001 | 4  | 螺栓(带垫圈) M4X14 | BOLT, SOCKET (S/P WASHER)M4X14 |    |
| 41  | CSA4712001 | 1  | 压脚滑块组件 R      | WORK CLAMP SLIDER ASSY R       |    |
| 42  | CSA4714001 | 1  | 压脚滑块组件 L      | WORK CLAMP SLIDER ASSY L       |    |
| 43  | CSA4706101 | 4  | 压脚挡板组件        | WORK CLAMP RETAINER ASSY       |    |
| 44  | CSA4708001 | 1  | 压脚            | WORK CLAMP                     |    |
| 45  | CS55485001 | 2  | 螺栓(带垫圈) M5X12 | BOLT, SOCKET (S/P WASHER)M5X12 |    |
| 46  | C012501031 | 2  | 螺钉 M5X10      | SET SCREW SOCKET (FT) M5X10    |    |
| 47  | C021500216 | 2  | 六角螺母 M5       | NUT 2 M5                       |    |
| 48  | CSA4709001 | 2  | 定位段螺钉         | SHOULDER SCREW                 |    |
| 49  | CSA4866101 | 1  | 压板组件 311      | WORK CLAMP 311 ASSY            |    |
| 50  | CS55484002 | 2  | 螺栓(带垫圈) M5X10 | BOLT, SOCKET (S/P WASHER)M5X10 |    |
| 51  | C017501616 | 4  | 螺栓 M5X16      | BOLT M5X16                     |    |
| 52  | C025050236 | 4  | 平垫圈 M5        | WASHER PLAIN M 5               |    |
| 53  | C028050246 | 4  | 弹簧垫圈 2-5      | WASHER SPRING 2-5              |    |
| 54  | CSA4715001 | 1  | 送料板 1310G     | .....                          |    |
| 55  | CS55484002 | 2  | 螺栓(带垫圈) M5X10 | BOLT, SOCKET (S/P WASHER)M5X10 |    |

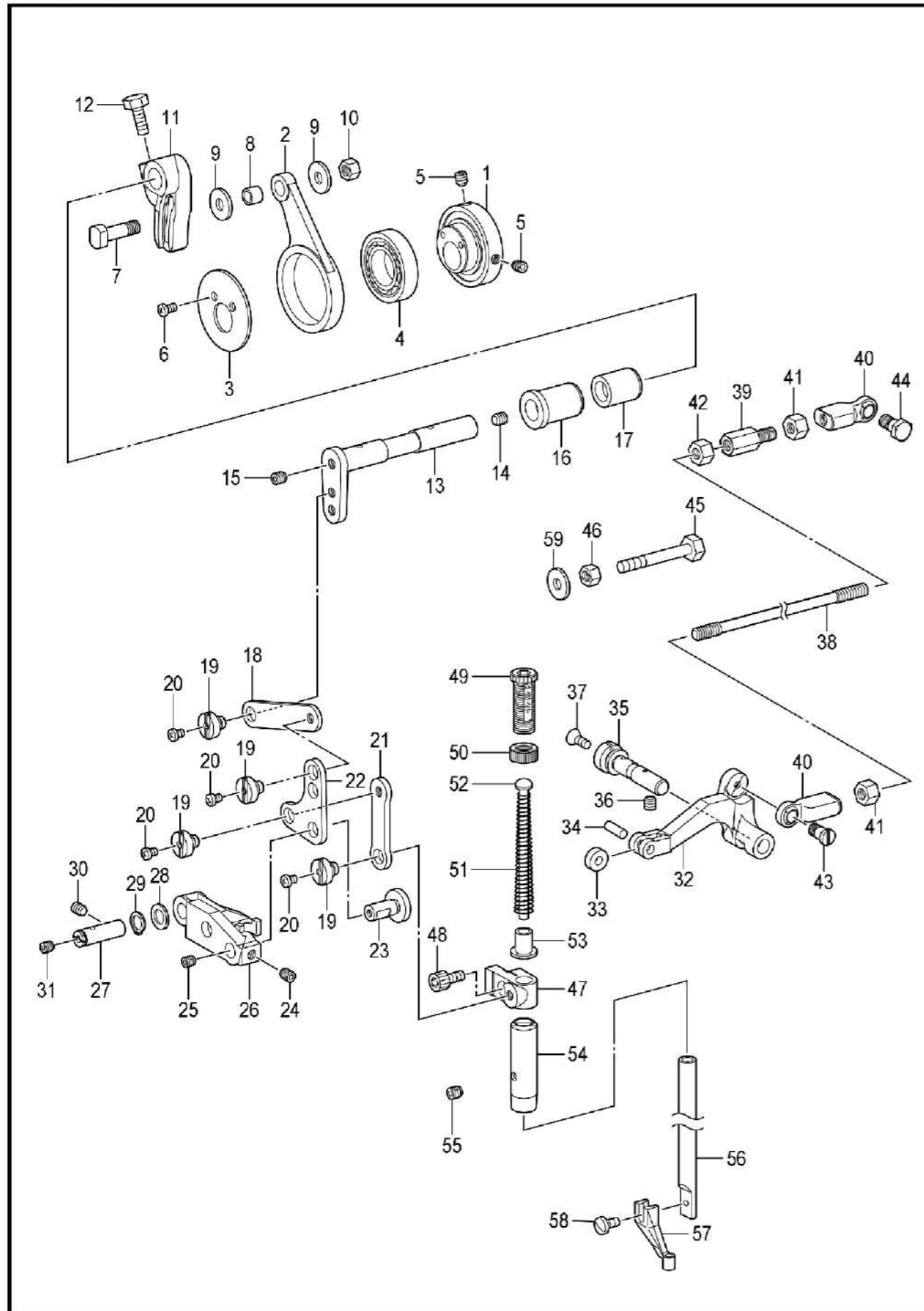
C4. 送料装置 / Feed mechanism



C4. 送料装置 / Feed mechanism

| 参照号                        | 零部件序号      | 数量 | 零部件名称         | NAME OF PARTS                  | RM |
|----------------------------|------------|----|---------------|--------------------------------|----|
| <空压式 / For Pneumatic type> |            |    |               |                                |    |
| 1                          | CSA4686101 | 1  | 压脚臂           | WORK CLAMP                     |    |
| 2                          | CSA4717001 | 1  | 气缸轴           | CYLINDER SHAFT                 |    |
| 3                          | C012060636 | 2  | 螺钉 M6X6       | SET SCREW SOCKET (FT) M6X6     |    |
| 5                          | CSA4719001 | 2  | 气缸组件 R        | AIR CYLINDER ASSY              |    |
| 6                          | C048050142 | 2  | 轴用挡圈 C5       | RETAINING RING EXTERNAL C5     |    |
| 7                          | CSA4720001 | 2  | 气缸接头          | CYLINDER JOINT                 |    |
| 8                          | CSA4721001 | 2  | 气缸接头轴         | CYLINDER JOINT SHAFT           |    |
| 9                          | C048060142 | 4  | 轴用挡圈 C6       | RETAINING RING EXTERNAL C6     |    |
| 10                         | CSA4722001 | 1  | 压脚柄 R(气压)     | WORK CLAMP LIFTER LEVER R AIR  |    |
| 11                         | CSA4723001 | 1  | 压脚柄 L(气压)     | WORK CLAMP LIFTER LEVER L AIR  |    |
| 12                         | CSA4724001 | 2  | 压脚臂杆(气压)      | WORK CLAMP LIFTER SHAFT AIR    |    |
| 13                         | CS55479001 | 2  | 螺栓(带垫圈) M4X8  | BOLT, SOCKET (S/P WASHER) M4X8 |    |
| 14                         | CSA4692001 | 1  | 压脚臂杆轴         | WORK CLAMP LIFTER SHAFT        |    |
| 15                         | C012060636 | 1  | 螺钉 M6X6       | SET SCREW SOCKET (FT) M6X6     |    |
| 16                         | C048080142 | 1  | 轴用挡圈 C8       | RETAINING RING EXTERNAL C8     |    |
| 17                         | C110367001 | 1  | 垫圈 8          | WASHER, PLAIN SPECIAL 8        |    |
| 18                         | CSA3231001 | 1  | 紧圈 B          | SET SCREW COLLAR,B             |    |
| 19                         | C012060536 | 2  | 螺钉 M6X5       | SET SCREW, SOCKET (FT) M6X5    |    |
| 20                         | CSA4863001 | 1  | 压脚导向组件 A      | WORK CLAMP GUIDE A ASSY        |    |
| 21                         | CS23849001 | 2  | 螺钉 M4X16      | SCREW, M4X16                   |    |
| 22                         | CSA4864001 | 2  | 压脚导向组件 B      | WORK CLAMP GUIDE B ASSY        |    |
| 23                         | CS55482001 | 4  | 螺栓(带垫圈) M4X14 | BOLT, SOCKET (S/P WASHER)M4X14 |    |
| 24                         | CSA4712001 | 1  | 压脚滑块组件 R      | WORK CLAMP SLIDER ASSY R       |    |
| 25                         | CSA4714001 | 1  | 压脚滑块组件 L      | WORK CLAMP SLIDER ASSY L       |    |
| 26                         | CSA4706101 | 4  | 压脚挡板组件        | WORK CLAMP RETAINER ASSY       |    |
| 27                         | CSA4725001 | 1  | 压脚 R          | WORK CLAMP R                   |    |
| 28                         | CS55485001 | 1  | 螺栓(带垫圈)M5X12  | BOLT, SOCKET (S/P WASHER)M5X12 |    |
| 29                         | C012501031 | 2  | 螺钉 M5X10      | SET SCREW SOCKET (FT) M5X10    |    |
| 30                         | C021500216 | 2  | 六角螺母 M5       | NUT 2 M5                       |    |
| 31                         | CSA4709001 | 2  | 定位段螺钉         | SHOULDER SCREW                 |    |
| 32                         | CSA4726001 | 1  | 压脚 L          | WORK CLAMP L                   |    |
| 33                         | CS55485001 | 1  | 螺栓(带垫圈) M5X12 | BOLT, SOCKET (S/P WASHER)M5X12 |    |
| 34                         | C012501031 | 2  | 螺钉 M5X10      | SET SCREW SOCKET (FT) M5X10    |    |
| 35                         | C021500216 | 2  | 六角螺母 M5       | NUT 2 M5                       |    |
| 36                         | CSA4709001 | 2  | 定位段螺钉         | SHOULDER SCREW                 |    |
| <用于1310G / For 1310G>      |            |    |               |                                |    |
| 37                         | CSA4868101 | 1  | 压板组件 1310R    | .....                          |    |
| 38                         | CSA4869101 | 1  | 压板组件 1310L    | .....                          |    |
| 39                         | CS55484002 | 4  | 螺栓(带垫圈) M5X10 | BOLT, SOCKET (S/P WASHER)M5X10 |    |
| 40                         | C017501616 | 4  | 螺栓 M5X16      | BOLT M5X16                     |    |
| 41                         | C025050236 | 4  | 平垫圈 M5        | WASHER PLAIN M 5               |    |
| 42                         | C028050246 | 4  | 弹簧垫圈 2-5      | WASHER SPRING 2-5              |    |
| 43                         | CSA4715001 | 1  | 送料板 1310G     | .....                          |    |
| 44                         | CS55484002 | 2  | 螺栓(带垫圈) M5X10 | BOLT, SOCKET (S/P WASHER)M5X10 |    |
| <用于2210G / For 2210G>      |            |    |               |                                |    |
| 45                         | CSA4870101 | 1  | 压脚板组件 2210R   | .....                          |    |
| 46                         | CSA4871101 | 1  | 压脚板组件 2210L   | .....                          |    |
| 39                         | CS55484002 | 4  | 螺栓(带垫圈) M5X10 | BOLT, SOCKET (S/P WASHER)M5X10 |    |
| 40                         | C017501616 | 4  | 螺栓 M5X16      | BOLT M5X16                     |    |
| 41                         | C025050236 | 4  | 平垫圈 M5        | WASHER PLAIN M 5               |    |
| 42                         | C028050246 | 4  | 弹簧垫圈 2-5      | WASHER SPRING 2-5              |    |
| 44                         | CS55484002 | 2  | 螺栓(带垫圈) M5X10 | BOLT, SOCKET (S/P WASHER)M5X10 |    |
| 47                         | CSA4852001 | 1  | 送料板 2210G     | .....                          |    |

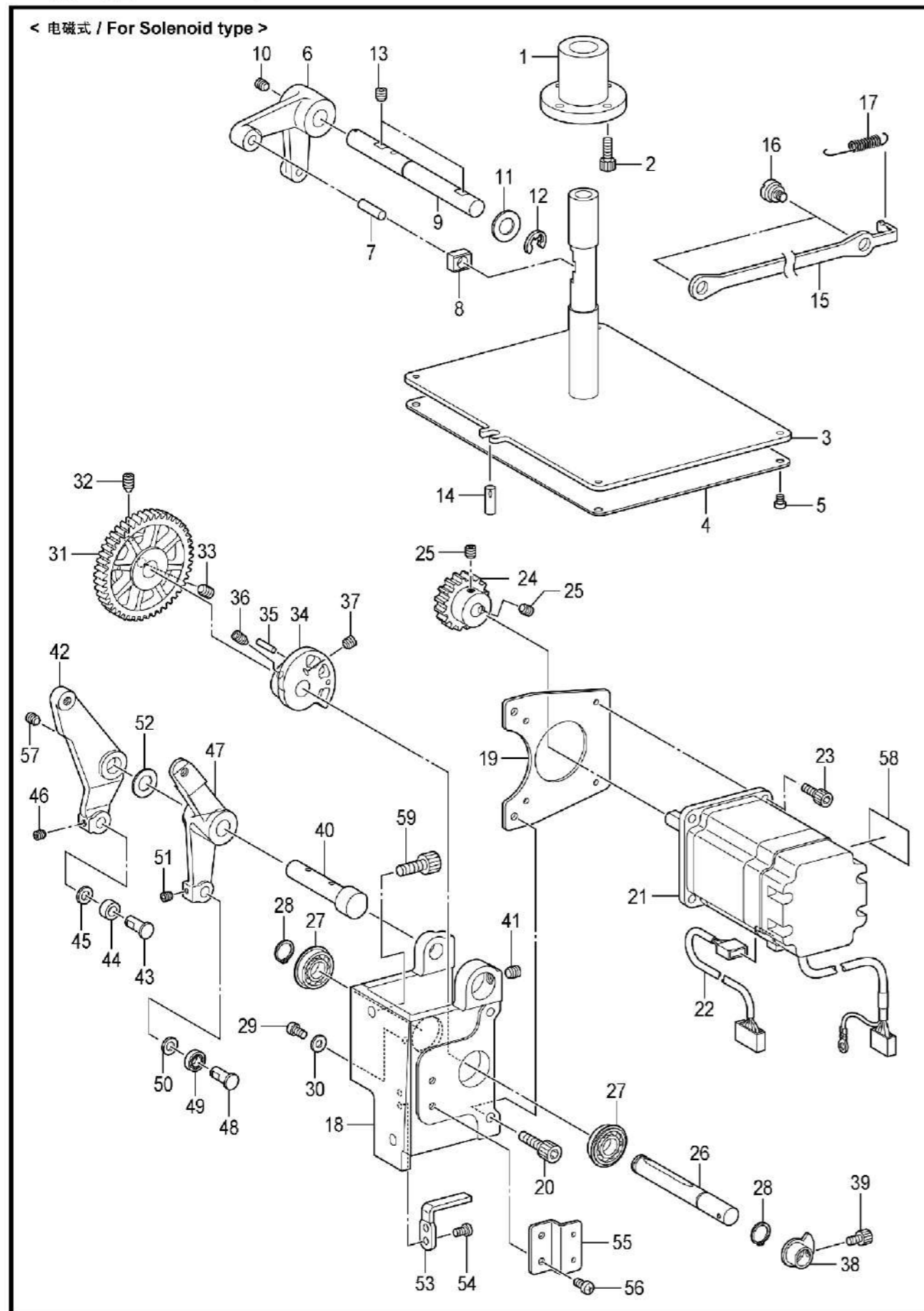
D1. 抬压装置 / Work clamp lifter mechanism



D1. 抬压装置 / Work clamp lifter mechanism

| 参照号 | 零部件序号      | 数量 | 零部件名称        | NAME OF PARTS                  | RM |
|-----|------------|----|--------------|--------------------------------|----|
| 1   | CSA4759001 | 1  | 凸轮           | STEPPING CLAMP CAM             |    |
| 2   | CSA4760001 | 1  | 连杆           | STEPPING CLAMP CON.ROD         |    |
| 3   | CSA4763001 | 1  | 垫圈           | WASHER STEPPING CLAMP CAM      |    |
| 4   | C623033000 | 1  | 轴承 6805VV    | BALL BEARING, 6805VV           |    |
| 5   | CS23651001 | 2  | 固定螺钉 M6X6    | SET SCREW, SOCKET (FT) M6X6    |    |
| 6   | C062400616 | 2  | 螺钉 M4X6      | SCREW PAN M4X6                 |    |
| 7   | CSA4761001 | 1  | 滚轮轴          | ROLLER SHAFT STEPPING CLAMP    |    |
| 8   | CSA4762001 | 1  | 滚轮           | ROLLER STEPING CLAMP           |    |
| 9   | CSA4302001 | 2  | 垫圈           | WASHER                         |    |
| 10  | C021080106 | 1  | 螺母 M6        | NUT 1 M6                       |    |
| 11  | CSA4764001 | 1  | 压臂 R         | STEPPING CLAMP ARM R           |    |
| 12  | C017061216 | 1  | 螺栓 M6X12     | BOLT M6X12                     |    |
| 13  | CSA4765001 | 1  | 压臂 F         | STEPPING CLAMP ARM F           |    |
| 14  | C012060636 | 1  | 螺钉 M6X6      | SET SCREW SOCKET (FT) M6X6     |    |
| 15  | CS23651001 | 1  | 固定螺钉 M6X6    | SET SCREW, SOCKET (FT) M6X6    |    |
| 16  | CSA4766001 | 1  | 压臂轴套 F       | BUSH STEPPING CLAMP F          |    |
| 17  | CSA4767001 | 1  | 压臂轴套 R       | BUSH STEPPING CLAMP R          |    |
| 18  | CSA4768001 | 1  | 间歇连杆 A       | BUSH STEPPING CLAMP R          |    |
| 19  | CSA4769001 | 4  | 段螺钉 6        | SHOULDER SCREW 6               |    |
| 20  | C062300416 | 4  | 螺钉 M3X4      | SCREW, PAN M3X4                |    |
| 21  | CSA4770001 | 1  | 间歇连杆 B       | STEPPING CLAMP LINK B          |    |
| 22  | CSA4772001 | 1  | 间歇连杆         | STEPPING CLAMP LINK            |    |
| 23  | CSA4773001 | 1  | 连杆轴          | SHAFT STEPPING CLAMP LINK      |    |
| 24  | C012060636 | 1  | 螺钉 M6X6      | SET SCREW SOCKET (FT) M6X6     |    |
| 25  | C012400436 | 1  | 螺钉 M4X4      | SET SCREW SOCKET (FT) M4X4     |    |
| 26  | CSA4777001 | 1  | 联接板          | STEPPING CLAMP LIFTER LINK     |    |
| 27  | CSA4771001 | 1  | 联接板轴         | SHAFT STEPPING CLAMP LIFT LINK |    |
| 28  | CSA2161001 | 1  | 垫圈           | WASHER                         |    |
| 29  | C048080142 | 1  | 轴用挡圈 C8      | RETAINING RING EXTERNAL C8     |    |
| 30  | C012060636 | 1  | 螺钉 M6X6      | SET SCREW SOCKET (FT) M6X6     |    |
| 31  | C012400436 | 1  | 螺钉 M4X4      | SET SCREW SOCKET (FT) M4X4     |    |
| 32  | CSA4779001 | 1  | 间歇提升杆        | STEPPING CLAMP LIFTER          |    |
| 33  | CSA4781001 | 1  | 提升杆滑轮        | ROLLER STEPPING CLAMP LIFTER   |    |
| 34  | C141362001 | 1  | 滚轮           | ROLLER                         |    |
| 35  | CSA4780001 | 1  | 提升杆轴         | SHAFT STEPPING CLAMP LIFTER    |    |
| 36  | C012060636 | 1  | 螺钉 M6X6      | SET SCREW SOCKET (FT) M6X6     |    |
| 37  | CS25310101 | 1  | 螺钉 M4        | SCREW, FLAT M4                 |    |
| 38  | CSA4775001 | 1  | 提升连杆         | STEPPING CLAMP LIFTER ROD      |    |
| 39  | CSA4853001 | 1  | 提升连杆接头       | JOINT STEPPING CLAMP LIFTER    |    |
| 40  | CSA2663001 | 2  | 接头组件 R       | BALL JOINT ASSY                |    |
| 41  | C021060306 | 2  | 六角螺母 M6      | NUT 3 M6                       |    |
| 42  | CSA3227001 | 1  | 螺母 M6        | NUT(FT),M6                     |    |
| 43  | CSA4776001 | 1  | 段螺钉          | SHOULDER SCREW                 |    |
| 44  | CS32462001 | 1  | 段螺钉 B M6     | SHOULDER SCREW, B ;M6          |    |
| 45  | C017065002 | 1  | 螺栓 M6X50     | BOLT M6X50                     |    |
| 46  | C021060106 | 1  | 螺母 M6        | NUT 1 M6                       |    |
| 47  | CSA4778001 | 1  | 压紧杆接头        | PRESSER BAR CLAMP              |    |
| 48  | C018400836 | 1  | 螺栓 M4X8      | BOLT SOCKET M4X8               |    |
| 49  | CSA1174001 | 1  | 调节螺栓 M14     | PRESSER ADJUSTING SCREW, M14   |    |
| 50  | CSA1175001 | 1  | 调节螺母 M14     | ADJUST SCREW NUT               |    |
| 51  | CSA5300001 | 1  | 弹簧           | PRESSER BAR SPRING             |    |
| 52  | CS10112001 | 1  | 弹簧导向         | PRESSER BAR SPRING GUIDE       |    |
| 53  | CSA5301001 | 1  | 弹簧管套         | COLLAR PRESSER BAR SPRING      |    |
| 54  | CSA2195001 | 1  | 压紧杆轴套        | PRESSER BAR BUSH               |    |
| 55  | C012060536 | 1  | 螺钉 M6X5      | SET SCREW SOCKET (FT) M6X5     |    |
| 56  | C111466101 | 1  | 压紧杆          | PRESSER BAR                    |    |
| 57  | C* P. 67   | 1  | 压脚           | WORK CLAMP                     |    |
| 58  | CS13399001 | 1  | 螺钉 SM3.57X12 | SCREW, SM3.57X12               |    |
| 59  | C151439102 | 1  | 垫圈           | WASHER                         |    |

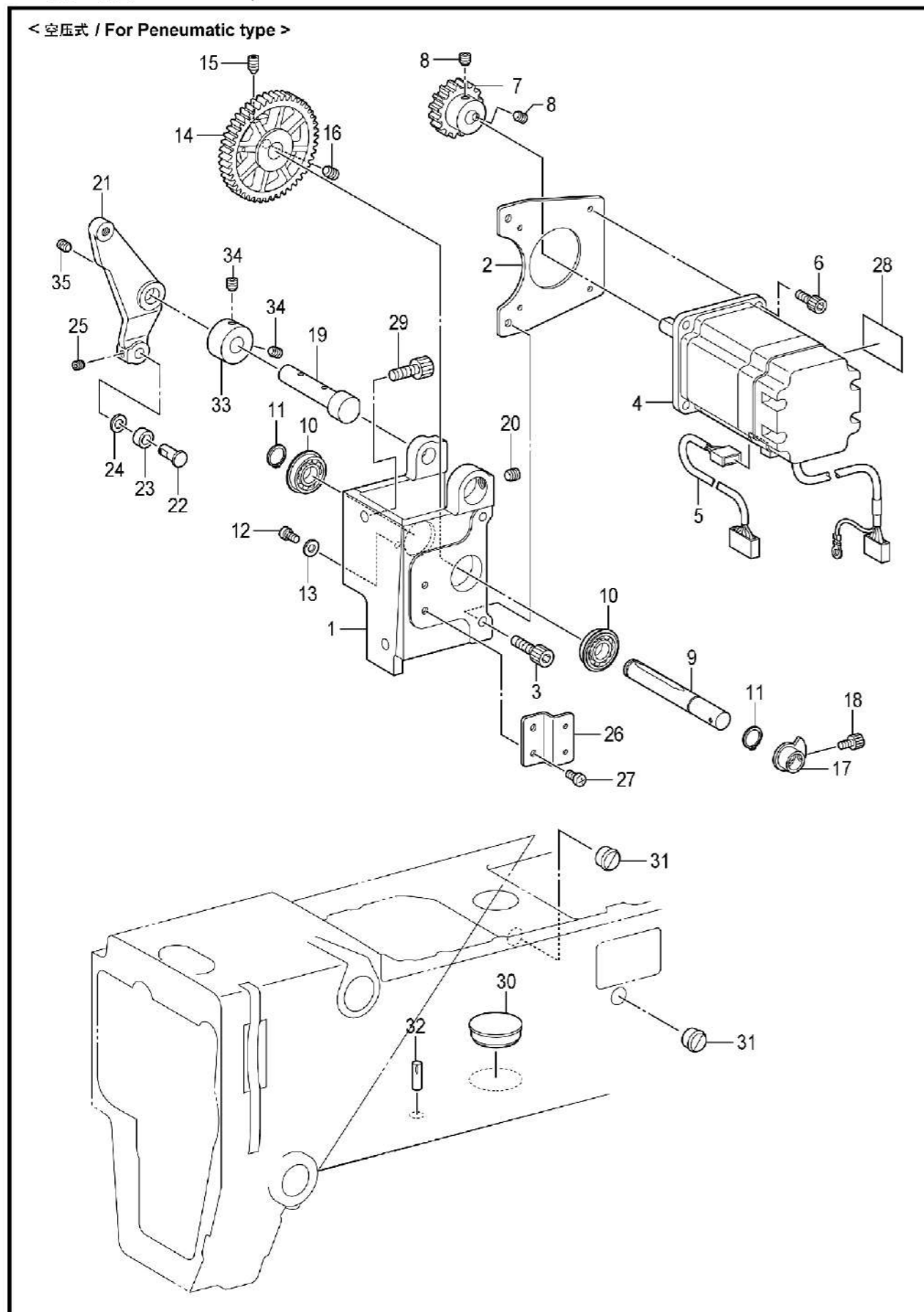
D2. 抬压装置 / Work clamp lifter mechanism



D2. 抬压装置 / Work clamp lifter mechanism

| 参照号 | 零部件序号      | 数量 | 零部件名称        | NAME OF PARTS                  | RM |
|-----|------------|----|--------------|--------------------------------|----|
|     |            |    | <电磁式>        | <For Solenoid type>            |    |
| 1   | CSA4729001 | 1  | 滑杆轴套         | SLIDE BUSH                     |    |
| 2   | C018401036 | 4  | 螺栓 M4X10     | BOLT SOCKET M4X10              |    |
| 3   | CSA4731001 | 1  | 压脚提升板组件      | WORK CLAMP LIFTER PLATE ASSY   |    |
| 4   | CSA4734001 | 1  | 底座板 E        | SEAT E                         |    |
| 5   | C062400416 | 4  | 螺钉 M4X4      | SCREW, PAN M4X4                |    |
| 6   | CSA4736001 | 1  | 压脚提升杆        | WORK CLAMP LIFTER LEVER        |    |
| 7   | C152744001 | 1  | 销            | PIN                            |    |
| 8   | C102630001 | 1  | 针杆接头滑块       | NEEDLE BAR GUIDE SLIDE BLOCK   |    |
| 9   | CSA4737001 | 1  | 提升杆轴 B       | WORK CLAMP LEVER SHAFT B       |    |
| 10  | C012060636 | 1  | 螺钉 M6X6      | SET SCREW SOCKET (FT) M6X6     |    |
| 11  | CS20356001 | 1  | 平垫圈 10       | WASHER, PLAIN 10               |    |
| 12  | C048080342 | 1  | 挡圈 E8        | RETAINING RING E8              |    |
| 13  | C012060636 | 2  | 螺钉 M6X6      | SET SCREW SOCKET (FT) M6X6     |    |
| 14  | C118208001 | 1  | 带槽销          | DOWEL PIN                      |    |
| 15  | CSA4738001 | 1  | 压脚提升杆        | WORK CLAMP LIFTER LINK         |    |
| 16  | CSA3438001 | 2  | 段螺钉          | LINK SHOULDER SCREW            |    |
| 17  | CSA4739001 | 1  | 弹簧           | WORK CLAMP SPRING              |    |
| 18  | CSA4741101 | 1  | 马达座          | MOTOR BRACKET                  |    |
| 19  | CSA4742001 | 1  | 压脚马达板        | WORK CLAMP MOTOR PLATE         |    |
| 20  | C018501036 | 2  | 螺栓 M5X10     | BOLT SOCKET M5X10              |    |
| 21  | CSA4826201 | 1  | 脉冲马达组件 P     | PULSE MOTOR ASSY P             |    |
| 22  | CSA4828001 | 1  | 马达端线 P       | MOTOR HARNESS P                |    |
| 23  | C018401036 | 4  | 螺栓 M4X10     | BOLT SOCKET M4X10              |    |
| 24  | CSA4743001 | 1  | 驱动齿轮         | WORK CLAMP DRIVING GEAR        |    |
| 25  | C012060636 | 2  | 螺钉 M6X6      | SET SCREW SOCKET (FT) M6X6     |    |
| 26  | CSA4744001 | 1  | 压脚支点轴        | WORK CLAMP FULCRUM SHAFT       |    |
| 27  | CSA4647001 | 2  | 球轴承 6900ZZNR | BALL BEARING 6900ZZNR          |    |
| 28  | C048100142 | 2  | 轴用挡圈 C10     | RETAINING RING EXTERNAL C10    |    |
| 29  | C062400616 | 1  | 螺钉 M4X6      | SCREW PAN M4X6                 |    |
| 30  | C025040236 | 1  | 平垫圈 M4       | WASHER PLAIN M 4               |    |
| 31  | CSA4745001 | 1  | 凸轮齿轮         | WORK CLAMP CAM GEAR            |    |
| 32  | C016061031 | 1  | 螺钉 M6X10     | SET SCREW SOCKET (CN) M6X10    |    |
| 33  | C012060636 | 1  | 螺钉 M6X6      | SET SCREW SOCKET (FT) M6X6     |    |
| 34  | CSA4746001 | 1  | 压脚凸轮         | WORK CLAMP CAM                 |    |
| 35  | CS35079000 | 1  | 滚针 3X11.8    | NEEDLE ROLLER, 3X11.8          |    |
| 36  | C016061031 | 1  | 螺钉 M6X10     | SET SCREW SOCKET (CN) M6X10    |    |
| 37  | C012060636 | 1  | 螺钉 M6X6      | SET SCREW SOCKET (FT) M6X6     |    |
| 38  | CSA4747001 | 1  | 压脚原点挡块       | WORK CLAMP H-POSITION DOG      |    |
| 39  | C018400636 | 1  | 螺栓 M4X6      | BOLT SOCKET M4X6               |    |
| 40  | CSA4748001 | 1  | 压脚柄轴         | WORK CLAMP LEVER SHAFT         |    |
| 41  | C012060636 | 1  | 螺钉 M6X6      | SET SCREW SOCKET (FT) M6X6     |    |
| 42  | CSA6210001 | 1  | 间歇驱动杆        | STEPPING W-CLAMP DRIVING LEVER |    |
| 43  | CSA3441001 | 1  | 抬压滚轮轴        | W-CLAMP LIFTER ROLLER SHAFT    |    |
| 44  | C070696800 | 1  | 轴承 R-696ZZ   | BALL BEARING RADIAL 696ZZ      |    |
| 45  | C109763001 | 1  | 垫圈           | WASHER                         |    |
| 46  | C012500536 | 1  | 螺钉 M5X5      | SET SCREW SOCKET (FT) M5X5     |    |
| 47  | CSA4750001 | 1  | 压脚驱动杆        | WORK CLAMP DRIVING SHAFT       |    |
| 48  | CSA3441001 | 1  | 抬压滚轮轴        | W-CLAMP LIFTER ROLLER SHAFT    |    |
| 49  | C070696800 | 1  | 轴承 R-696ZZ   | BALL BEARING RADIAL 696ZZ      |    |
| 50  | C109763001 | 1  | 垫圈           | WASHER                         |    |
| 51  | C012500536 | 1  | 螺钉 M5X5      | SET SCREW SOCKET (FT) M5X5     |    |
| 52  | CS20356001 | 1  | 平垫圈 10       | WASHER, PLAIN 10               |    |
| 53  | CSA4752001 | 1  | 凸轮定位         | WORK CLAMP CAM STOPPER         |    |
| 54  | C062400616 | 2  | 螺钉 M4X6      | SCREW PAN M4X6                 |    |
| 55  | CSA4753001 | 1  | 压脚传感器板       | WORK CLAMP SENSOR PLATE        |    |
| 56  | C062400616 | 2  | 螺钉 M4X6      | SCREW PAN M4X6                 |    |
| 57  | C012060636 | 1  | 螺钉 M6X6      | SET SCREW SOCKET (FT) M6X6     |    |
| 58  | CSA4224001 | 1  | 注意符号 30X40   | MARK.ATTENTION 30X40           |    |
| 59  | C018061236 | 2  | 螺栓 M6X12     | BOLT SOCKET M6X12              |    |

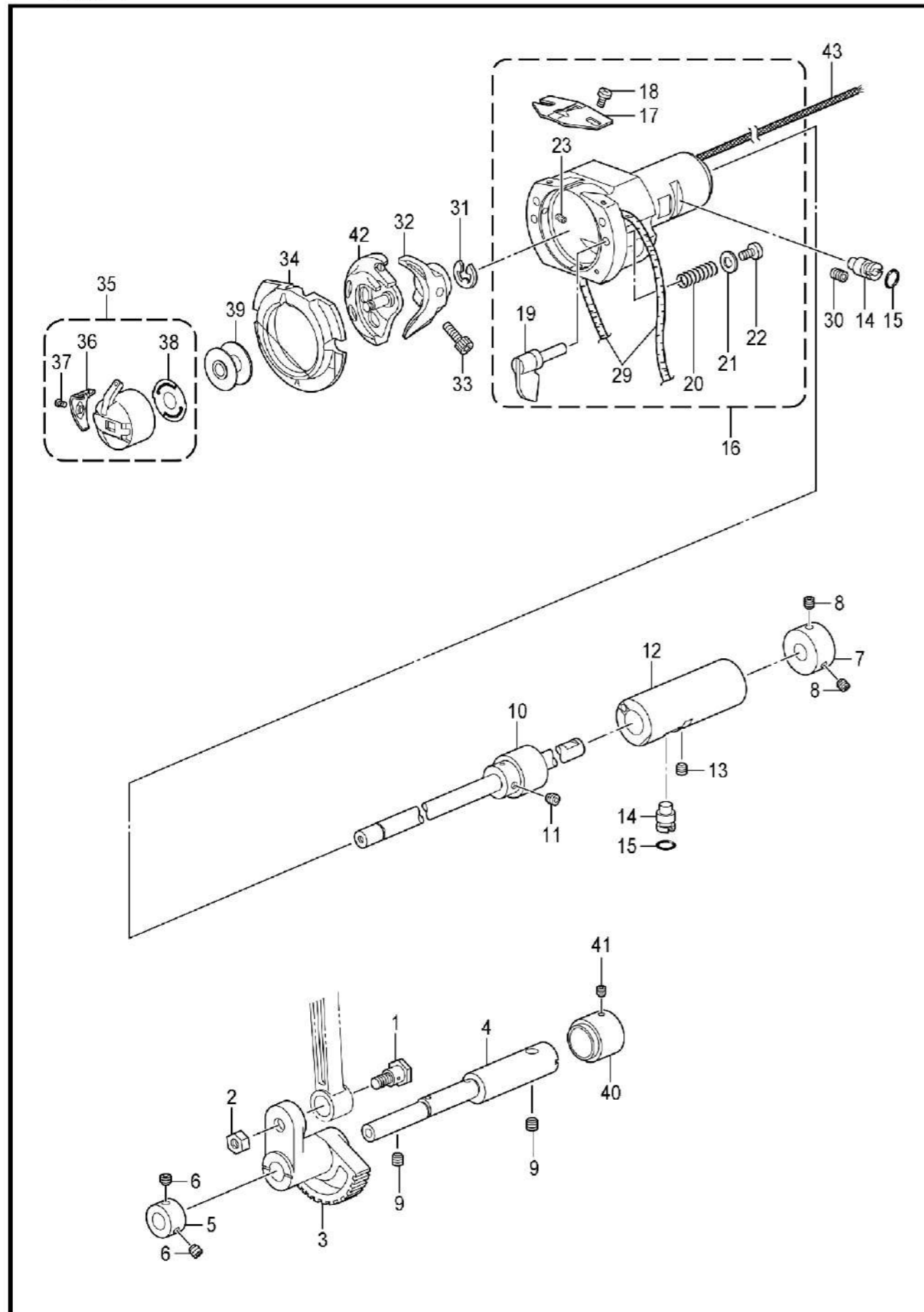
D3. 抬压装置 / Work clamp lifter mechanism



D3. 抬压装置 / Work clamp lifter mechanism

| 参照号 | 零部件序号      | 数量 | 零部件名称        | NAME OF PARTS                  | RM |
|-----|------------|----|--------------|--------------------------------|----|
|     |            |    | <空压式>        | <For Pneumatic type>           |    |
| 1   | CSA4741101 | 1  | 马达座          | MOTOR BRACKET                  |    |
| 2   | CSA4742001 | 1  | 压脚马达板        | WORK CLAMP MOTOR PLATE         |    |
| 3   | C018501036 | 2  | 螺栓 M5X10     | BOLT SOCKET M5X10              |    |
| 4   | CSA4826201 | 1  | 脉冲马达组件 P     | PULSE MOTOR ASSY P             |    |
| 5   | CSA4828001 | 1  | 马达端线 P       | MOTOR HARNESS P                |    |
| 6   | C018401036 | 4  | 螺栓 M4X10     | BOLT SOCKET M4X10              |    |
| 7   | CSA4743001 | 1  | 驱动齿轮         | WORK CLAMP DRIVING GEAR        |    |
| 8   | C012060636 | 2  | 螺钉 M6X6      | SET SCREW SOCKET (FT) M6X6     |    |
| 9   | CSA4744001 | 1  | 压脚支点轴        | WORK CLAMP FULCRUM SHAFT       |    |
| 10  | CSA4647001 | 2  | 球轴承 6900ZZNR | BALL BEARING 6900ZZNR          |    |
| 11  | C048100142 | 2  | 轴用挡圈 C10     | RETAINING RING EXTERNAL C10    |    |
| 12  | C062400616 | 1  | 螺钉 M4X6      | SCREW PAN M4X6                 |    |
| 13  | C025040236 | 1  | 平垫圈 M4       | WASHER PLAIN M 4               |    |
| 14  | CSA4745001 | 1  | 凸轮齿轮         | WORK CLAMP CAM GEAR            |    |
| 15  | C016061031 | 1  | 螺钉 M6X10     | SET SCREW SOCKET (CN) M6X10    |    |
| 16  | C012060636 | 1  | 螺钉 M6X6      | SET SCREW SOCKET (FT) M6X6     |    |
| 17  | CSA4747001 | 1  | 压脚原点挡块       | WORK CLAMP H-POSITION DOG      |    |
| 18  | C018400636 | 1  | 螺栓 M4X6      | BOLT SOCKET M4X6               |    |
| 19  | CSA4748001 | 1  | 压脚柄轴         | WORK CLAMP LEVER SHAFT         |    |
| 20  | C012060636 | 1  | 螺钉 M6X6      | SET SCREW SOCKET (FT) M6X6     |    |
| 21  | CSA6210001 | 1  | 间歇驱动杆        | STEPPING W-CLAMP DRIVING LEVER |    |
| 22  | CSA3441001 | 1  | 抬压滚轮轴        | W-CLAMP LIFTER ROLLER SHAFT    |    |
| 23  | C070696800 | 1  | 轴承 R-696ZZ   | BALL BEARING RADIAL 696ZZ      |    |
| 24  | C109763001 | 1  | 垫圈           | WASHER                         |    |
| 25  | C012500536 | 1  | 螺钉 M5X5      | SET SCREW SOCKET (FT) M5X5     |    |
| 26  | CSA4753001 | 1  | 压脚传感器板       | WORK CLAMP SENSOR PLATE        |    |
| 27  | C062400616 | 2  | 螺钉 M4X6      | SCREW PAN M4X6                 |    |
| 28  | CSA4224001 | 1  | 注意符号 30X40   | MARK,ATTENTION 30X40           |    |
| 29  | C018061236 | 2  | 螺栓 M6X12     | BOLT SOCKET M6X12              |    |
| 30  | C159163000 | 1  | 橡皮塞 29       | RUBBER CAP 29                  |    |
| 31  | C104821001 | 2  | 橡皮塞 10.5     | RUBBER CAP, 10.5               |    |
| 32  | C118550001 | 1  | 带槽销          | PIN DOWEL                      |    |
| 33  | CSA4757101 | 1  | 紧圈           | SET SCREW COLLAR               |    |
| 34  | C012060636 | 2  | 螺钉 M6X6      | SET SCREW SOCKET (FT) M6X6     |    |
| 35  | C012060636 | 1  | 螺钉 M6X6      | SET SCREW SOCKET (FT) M6X6     |    |

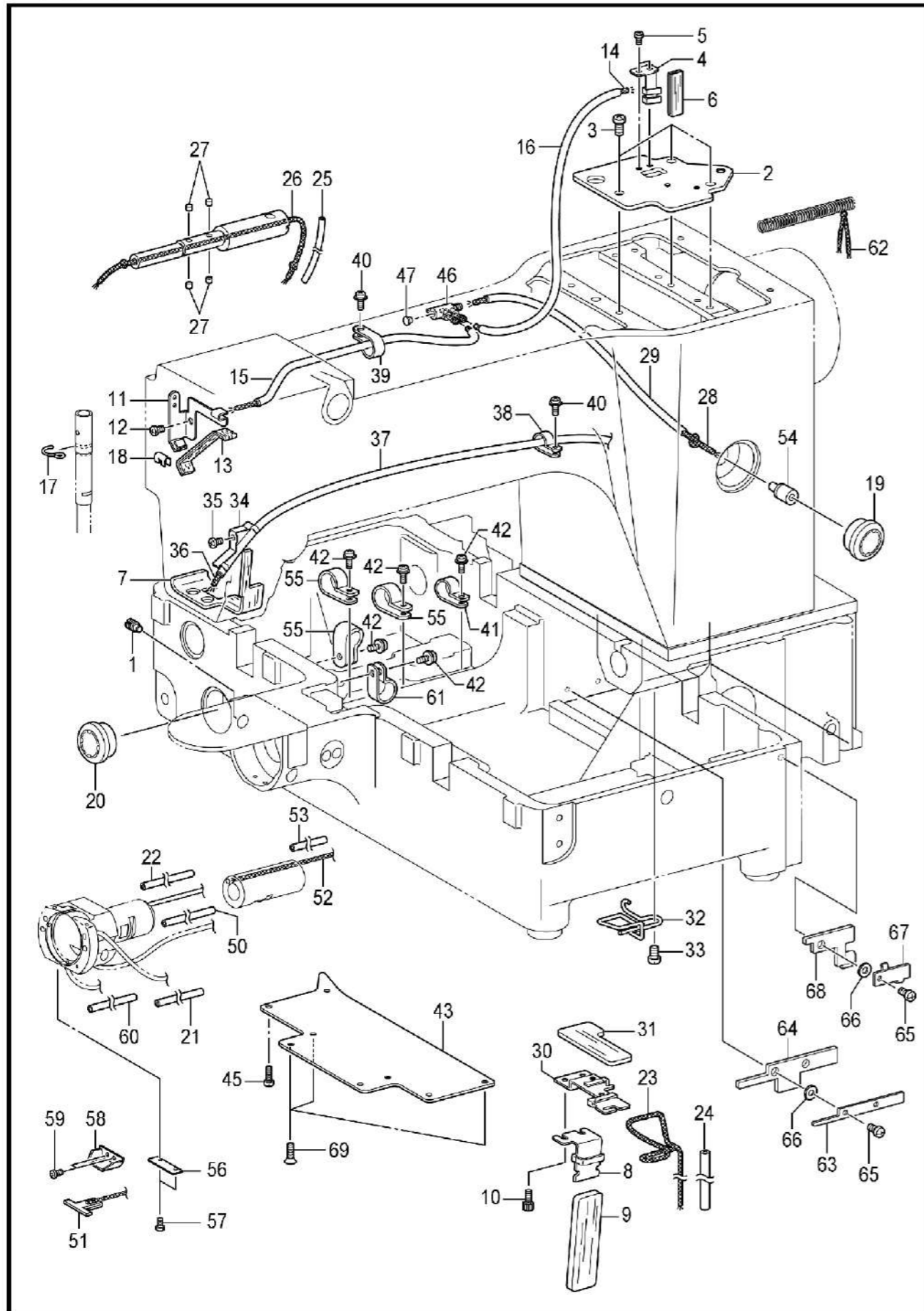
E. 下轴装置 / Lower shaft mechanism



E. 下轴装置 / Lower shaft mechanism

| 参照号 | 零部件序号      | 数量 | 零部件名称        | NAME OF PARTS               | RM |
|-----|------------|----|--------------|-----------------------------|----|
| 1   | CSA3226001 | 1  | 段螺钉          | SHOULDER SCREW              |    |
| 2   | CSA3227001 | 1  | 螺母 M6        | NUT(FT),M6                  |    |
| 3   | CSA3228101 | 1  | 摆动齿轮         | ROCK GEAR                   |    |
| 4   | CSA4782001 | 1  | 摆动齿轮轴        | ROCK GEAR SHAFT             |    |
| 5   | CSA3231001 | 1  | 紧圈 B         | SET SCREW COLLAR,B          |    |
| 6   | C012060536 | 2  | 螺钉 M6X5      | SET SCREW, SOCKET (FT) M6X5 |    |
| 7   | CSA3233001 | 1  | 紧圈           | SET SCREW COLLAR            |    |
| 8   | CS23651001 | 2  | 固定螺钉 M6X8    | SET SCREW, SOCKET (FT) M6X8 |    |
| 9   | C012060636 | 2  | 螺钉 M6X6      | SET SCREW SOCKET (FT) M6X6  |    |
| 10  | CSA4783101 | 1  | 下轴组件         | LOWER SHAFT ASSY            |    |
| 11  | C012500536 | 1  | 螺钉 M5X5      | SET SCREW SOCKET (FT) M5X5  |    |
| 12  | CSA6216001 | 1  | 下轴轴套         | LOWER SHAFT BUSH            |    |
| 13  | C012060636 | 1  | 螺钉 M6X6      | SET SCREW SOCKET (FT) M6X6  |    |
| 14  | CSA3238101 | 2  | 旋梭调节轴        | ADJUSTING STUD              |    |
| 15  | C081003670 | 2  | O形圈 PW3      | O RING PW3                  |    |
| 16  | CSA6220001 | 1  | 大旋梭基座组件 a    | SHUTTLE RACE BASE ASSY G    |    |
| 17  | CS02429201 | 1  | 旋梭线导向        | SHUTTLE RACE THREAD GUIDE   |    |
| 18  | CSA4199001 | 2  | 螺钉 M3X4      | SCREW M3X4                  |    |
| 19  | CSA3241001 | 2  | 大旋梭固定柄       | S-RACE BASE SETTING CLAW    |    |
| 20  | C152684101 | 2  | 弹簧           | COMPRESSION SPRING          |    |
| 21  | C026030136 | 2  | 平垫圈 S3       | WASHER PLAIN S 3            |    |
| 22  | C062300616 | 2  | 螺钉 M3X6      | SCREW PAN M3X6              |    |
| 23  | C153050000 | 2  | 毡垫           | S-RACE BASE FELT            |    |
| 29  | CS59886001 | 2  | 毡垫 L=360     | FELT, L=360                 |    |
| 30  | C012060636 | 1  | 螺钉 M6X6      | SET SCREW SOCKET (FT) M6X6  |    |
| 31  | C048070342 | 1  | 挡圈 E7        | RETAINING RING E7           |    |
| 32  | CSA3284101 | 1  | 梭托 D         | DRIVER,D                    |    |
| 33  | C018501232 | 1  | 螺栓 M5X12     | BOLT SOCKET M5X12           |    |
| 34  | C* P. 66   | 1  | 外旋梭          | SHUTTLE RACE BASE           |    |
| 35  | C* P. 66   | 1  | 梭芯套组件        | BOBBIN CASE ASSY            |    |
| 36  | C* P. 66   | 1  | 调节弹簧         | TENSION SPRING              |    |
| 37  | C* P. 66   | 1  | 螺钉           | SCREW                       |    |
| 38  | C* P. 66   | 1  | 防空转弹簧        | ANTI-SPIN SPRING            |    |
| 39  | C* P. 66   | 1  | 梭芯           | BOBBIN                      |    |
| 40  | CSA3283101 | 1  | 紧圈 R         | SET SCREW COLLAR,R          |    |
| 41  | C012500536 | 1  | 螺钉 M5X5      | SET SCREW SOCKET (FT) M5X5  |    |
| 42  | C* P. 66   | 1  | 中旋梭          | SHUTTLE HOOK                |    |
| 43  | CS32557000 | 1  | 油线 4X4 L=330 | WICK, 4X4 L=330             |    |

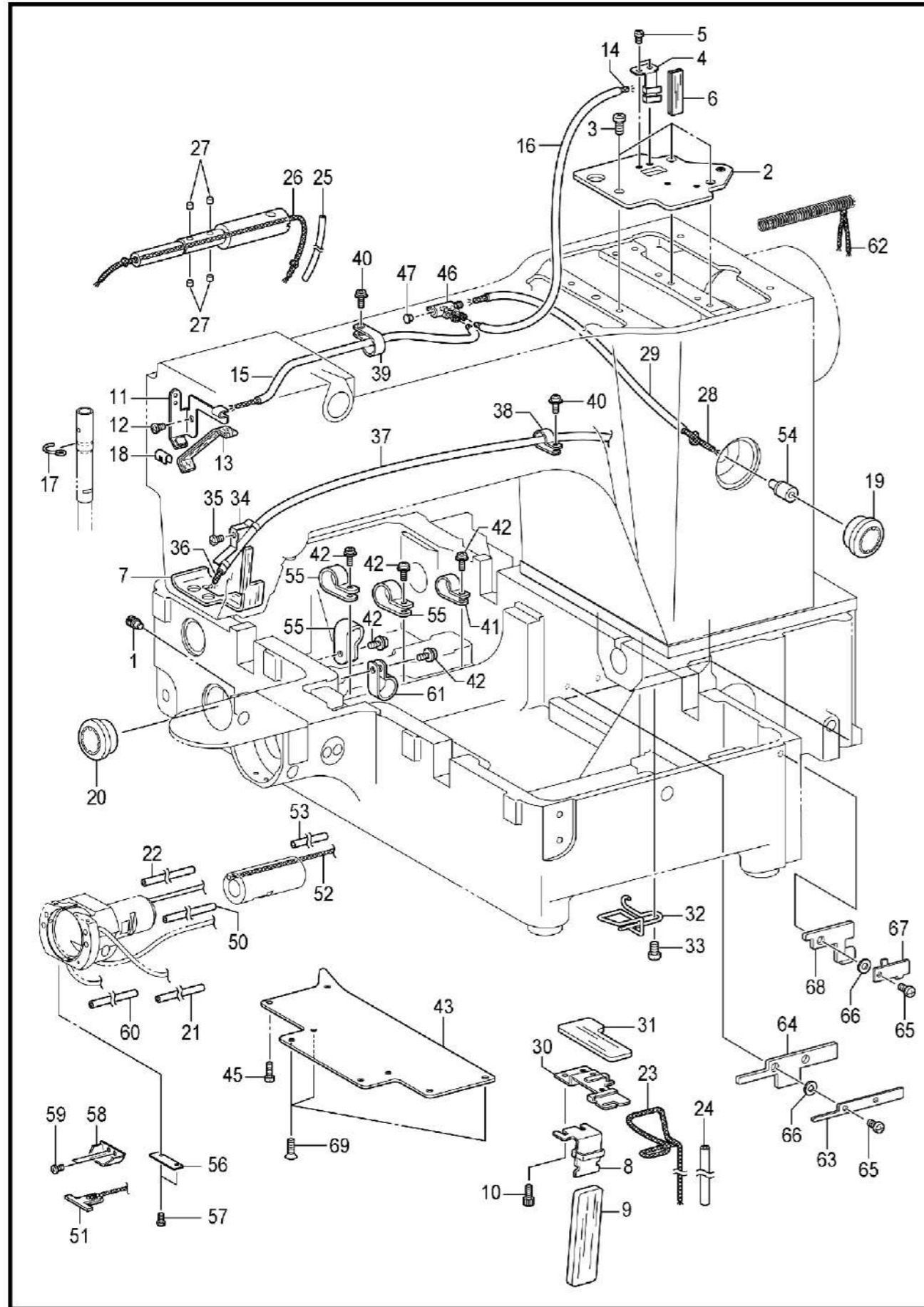
F. 供油润滑装置 / Lubrication



F. 供油润滑装置 / Lubrication

| 参照号 | 零部件序号      | 数量 | 零部件名称           | NAME OF PARTS                | RM |
|-----|------------|----|-----------------|------------------------------|----|
| 1   | CSA3244001 | 1  | 螺钉              | SET SCREW                    |    |
| 2   | CSA4785001 | 1  | 曲柄盖             | CRANK COVER                  |    |
| 3   | C062061016 | 3  | 螺钉 M6X10        | SCREW PAN M6X10              |    |
| 4   | CSA4787001 | 1  | 曲柄供油板           | CRANK WICK PLATE             |    |
| 5   | C062400616 | 2  | 螺钉 M4X6         | SCREW PAN M4X6               |    |
| 6   | CSA5294001 | 1  | 毡油线 L=90        | FLAT WICK L=90               |    |
| 7   | CSA4786101 | 1  | 油毡              | FELT                         |    |
| 8   | CSA3503201 | 1  | 下轴给油支架          | LOWER SHAFT WICK SUPPORT     |    |
| 9   | CSA3504201 | 1  | 下轴齿轮油毡          | LOWER SHAFT GEAR FELT        |    |
| 10  | C018400636 | 2  | 螺栓 M4X6         | BOLT SOCKET M4X6             |    |
| 11  | CSA4788001 | 1  | 供油支架            | WICK SUPPORT                 |    |
| 12  | C062400616 | 1  | 螺钉 M4X6         | SCREW PAN M4X6               |    |
| 13  | CSA6593001 | 1  | 毡油线 L=180       | FLAT WICK, L=180             |    |
| 14  | CSA6580001 | 1  | 油线 L=780        | WICK L=780                   |    |
| 15  | CS07459100 | 1  | 油管 L=240        | OIL TUBE, L=240              |    |
| 16  | CSA6576001 | 1  | 油管 L=210        | OIL TUBE, L=210              |    |
| 17  | CSA6087001 | 1  | 油线挂钩            | WICK SUPPORT                 |    |
| 18  | C104567101 | 1  | 油线支架            | WICK SUPPORT                 |    |
| 19  | CS49992000 | 1  | 油视窗             | OIL GAUGE WINDOW             |    |
| 20  | C152948001 | 1  | 油视窗             | OIL GAUGE WINDOW             |    |
| 21  | CS50529000 | 1  | 油管 L=320        | OIL TUBE, L=320              |    |
| 22  | CS07459100 | 1  | 油管 L=240        | OIL TUBE, L=240              |    |
| 23  | CSA5292101 | 1  | 油线 L=680        | WICK L=680                   |    |
| 24  | CS53175000 | 1  | 油管 L=450        | OIL TUBE, L=450              |    |
| 25  | CSA5072001 | 1  | 油管 L=120        | OIL TUBE L=120               |    |
| 26  | CSA6578001 | 1  | 油线 6X6 L=300    | WICK 6X6 L=300               |    |
| 27  | CS09043000 | 4  | 油毡              | FELT                         |    |
| 28  | CS49982000 | 1  | 油线 4X4 L=400    | WICK, 4X4 L=400              |    |
| 29  | CS48189000 | 1  | 油管 L=280        | OIL TUBE, L=280              |    |
| 30  | CSA3246001 | 1  | 齿轮供油支架          | GEAR WICK SUPPORT            |    |
| 31  | CSA3280001 | 1  | 油毡              | GEAR FELT                    |    |
| 32  | CSA4789101 | 1  | 油线夹 B           | LOWER SHAFT WICK SUPPORT B   |    |
| 33  | C062060816 | 1  | 螺钉 M6X8         | SCREW PAN M6X8               |    |
| 34  | C145547001 | 1  | 回油管管托           | TUBE HOLDER                  |    |
| 35  | C062400616 | 1  | 螺钉 M4X6         | SCREW PAN M4X6               |    |
| 36  | CS49957000 | 1  | 油线 4X4 L=700    | WICK, 4X4 L=700              |    |
| 37  | CSA4791101 | 1  | 油管 L=620        | OIL TUBE L=620               |    |
| 38  | C149547000 | 1  | 压线板             | CORD HOLDER, 4N              |    |
| 39  | C525567000 | 1  | 电线夹 #8          | CORD HOLDER, #8              |    |
| 40  | C0A5401006 | 2  | 螺栓(带垫圈) M4X10DB | SCREW PAN (S/P WASHER) M4X10 |    |
| 41  | C525664000 | 1  | 电线夹 #6          | CORD HOLDER, #6              |    |
| 42  | C0A5401006 | 5  | 螺栓(带垫圈) M4X10DB | SCREW PAN (S/P WASHER) M4X10 |    |
| 43  | CSA6211001 | 1  | 油盖              | OIL COVER                    |    |
| 45  | C062401016 | 5  | 螺钉 M4X10        | SCREW PAN M4X10              |    |
| 46  | CS38265000 | 1  | 管接头 L           | TERMINAL, L                  |    |
| 47  | C142274101 | 1  | 橡皮塞 4.2         | RUBBER CAP, 4.2              |    |
| 50  | CSA6263001 | 1  | 油管 L=320        | OIL TUBE L=320               |    |
| 51  | CSA6260001 | 1  | 油毡组件            | FELT ASSY                    |    |
| 52  | CS00400000 | 1  | 油线 2.5X200      | WICK, 2.5X200                |    |
| 53  | CSA6579001 | 1  | 油管 L=110        | OIL TUBE, L=110              |    |
| 54  | CSA5339101 | 1  | 油嘴管             | OIL FEEDING PIPE             |    |
| 55  | C525567000 | 3  | 电线夹 #8          | CORD HOLDER, #8              |    |
| 56  | CSA3242001 | 1  | 油毡支架            | FELT HOLDER                  |    |
| 57  | CS44924001 | 2  | 固定螺钉 M3X5.5     | SCREW, M3X5.5                |    |
| 58  | CSA3274101 | 1  | 油毡支架            | FELT HOLDER                  |    |
| 59  | CS47307001 | 2  | 螺钉 M3X4         | SCREW, M3X4                  |    |

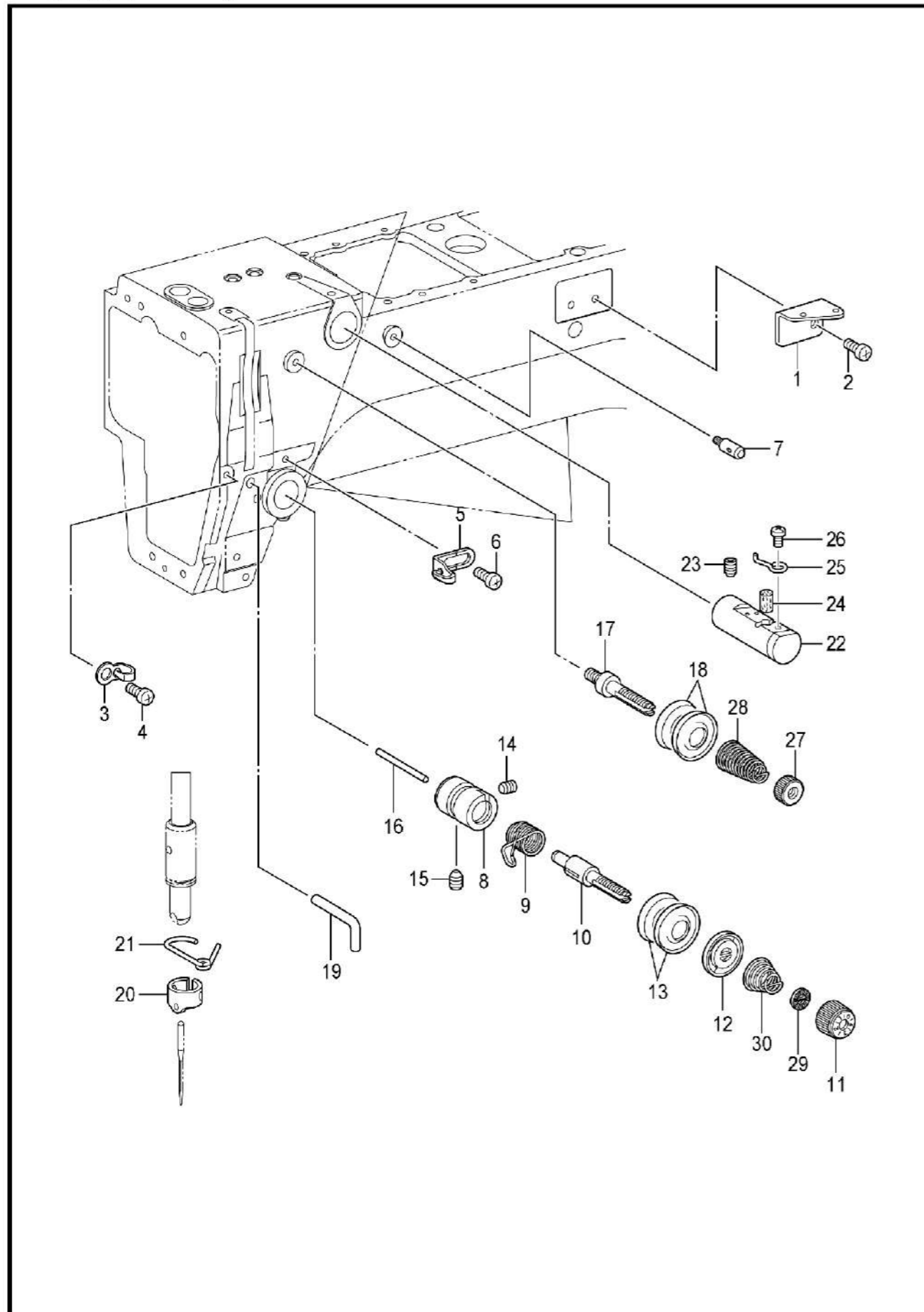
F. 供油润滑装置 / Lubrication



F. 供油润滑装置 / Lubrication

| 参照号 | 零部件序号      | 数量 | 零部件名称    | NAME OF PARTS     | RM |
|-----|------------|----|----------|-------------------|----|
| 60  | CSA6577001 | 1  | 油管 L=300 | OIL TUBE L=300    |    |
| 61  | C552907000 | 1  | 电线夹 #10  | CORD HOLDER, #10  |    |
| 62  | CSA6572001 | 1  | 油线 L=140 | WICK L=140        |    |
| 63  | CSA6581001 | 1  | 油毡压板 L   | WICK SUPPORT L    |    |
| 64  | CSA6583001 | 1  | 底板油毡 L   | FELT BED L        |    |
| 65  | C062400616 | 3  | 螺钉 M4X6  | SCREW PAN M4X6    |    |
| 66  | C028040246 | 3  | 弹簧垫圈 2-4 | WASHER SPRING 2-4 |    |
| 67  | CSA6582001 | 1  | 油毡压板 R   | WICK SUPPORT R    |    |
| 68  | CSA6584001 | 1  | 底板油毡 R   | FELT BED R        |    |
| 69  | CS25310101 | 3  | 螺钉 M4    | SCREW, FLAT M4    |    |

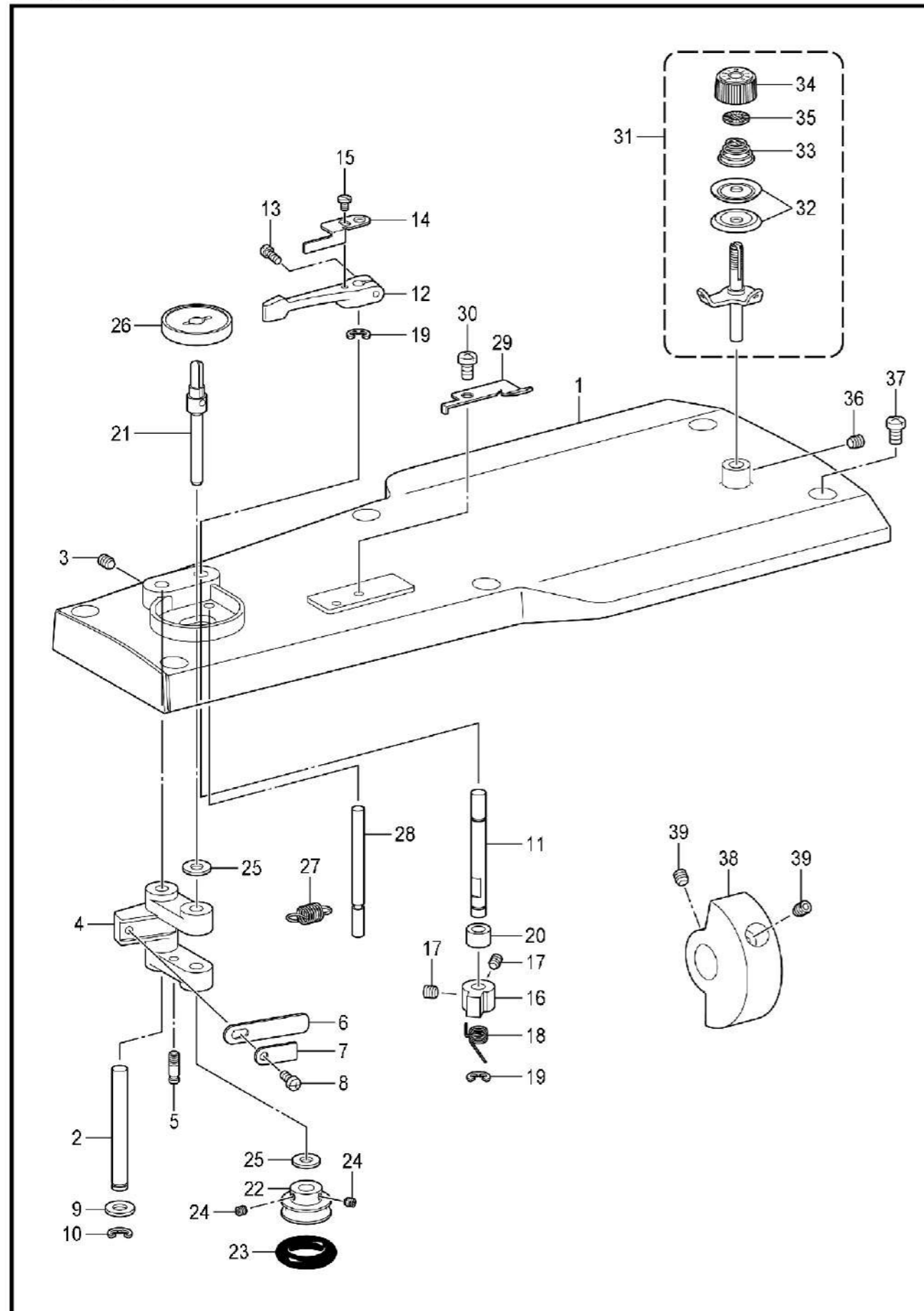
G. 穿线装置 / Threading mechanism



G. 穿线装置 / Threading mechanism

| 参照号 | 零部件序号      | 数量 | 零部件名称          | NAME OF PARTS              | RM |
|-----|------------|----|----------------|----------------------------|----|
| 1   | CSA3250001 | 1  | 过线导向 A         | ARM THREAD GUIDE,A         |    |
| 2   | C062500616 | 1  | 螺钉 M5X6        | SCREW PAN M5X6             |    |
| 3   | CSA4333001 | 1  | 过线导向 B         | ARM THREAD GUIDE,B         |    |
| 4   | C062500616 | 1  | 螺钉 M5X6        | SCREW PAN M5X6             |    |
| 5   | CSA6391001 | 1  | 过线器 C          | ARM THREAD GUIDE C         |    |
| 6   | C062500616 | 1  | 螺钉 M5X6        | SCREW PAN M5X6             |    |
| 7   | C153049001 | 1  | 面线导向杆          | UPPER THREAD GUIDE STUD    |    |
| 8   | CSA3254001 | 1  | 夹线座            | TENSION BRACKET            |    |
| 9   | C* P. 66   | 1  | 调节弹簧           | THREAD TAKE-UP SPRING      |    |
| 10  | CSA3255001 | 1  | 夹线杆轴           | TENSION STUD               |    |
| 11  | CS31032001 | 1  | 压线螺母           | TENSION NUT                |    |
| 12  | C159805001 | 1  | 夹线压盘           | TENSION DISC PRESSER       |    |
| 13  | C145446001 | 1  | 夹线盘            | DISC, TENSION              |    |
| 14  | C100402004 | 1  | 固定螺钉 SM3.57    | SET SCREW, SM3.57          |    |
| 15  | CSA4143001 | 1  | 螺钉 M6X6        | SET SCREW, (FT) M6X6       |    |
| 16  | CS12699000 | 1  | 松线销            | TENSION RELEASE PIN        |    |
| 17  | CSA3256001 | 1  | 夹线杆轴 A         | TENSION STUD,A             |    |
| 18  | C145446001 | 2  | 夹线盘            | DISC, TENSION              |    |
| 19  | C159224001 | 1  | 线钩             | THREAD GUIDE, ARM          |    |
| 20  | C* P. 67   | 1  | 针杆线导向          | NEEDLE BAR THREAD GUIDE    |    |
| 21  | CSA3258001 | 1  | 针杆轴套线导向 D      | N-BAR BUSH THREAD GUIDE,D  |    |
| 22  | C152881001 | 1  | 线冷却器组件         | NEEDLE COOLER ASSY         |    |
| 23  | C012060636 | 1  | 螺钉 M6X6        | SET SCREW SOCKET (FT) M6X6 |    |
| 24  | C152883000 | 1  | 油毡 8X15.5      | FELT, 8X15.5               |    |
| 25  | C152884001 | 1  | 过线钩            | NEEDLE COOLER THREAD GUIDE |    |
| 26  | C062670412 | 1  | 螺钉 SM3.57-40X4 | SCREW PAN SM3.57-40X4      |    |
| 27  | C100136001 | 1  | 夹线螺母           | TENSION NUT                |    |
| 28  | CSA4146001 | 1  | 弹簧             | SUB TENSION SPRING         |    |
| 29  | CS12441001 | 1  | 止动垫圈           | WASHER                     |    |
| 30  | C* P. 66   | 1  | 夹线簧            | TENSION SPRING             |    |

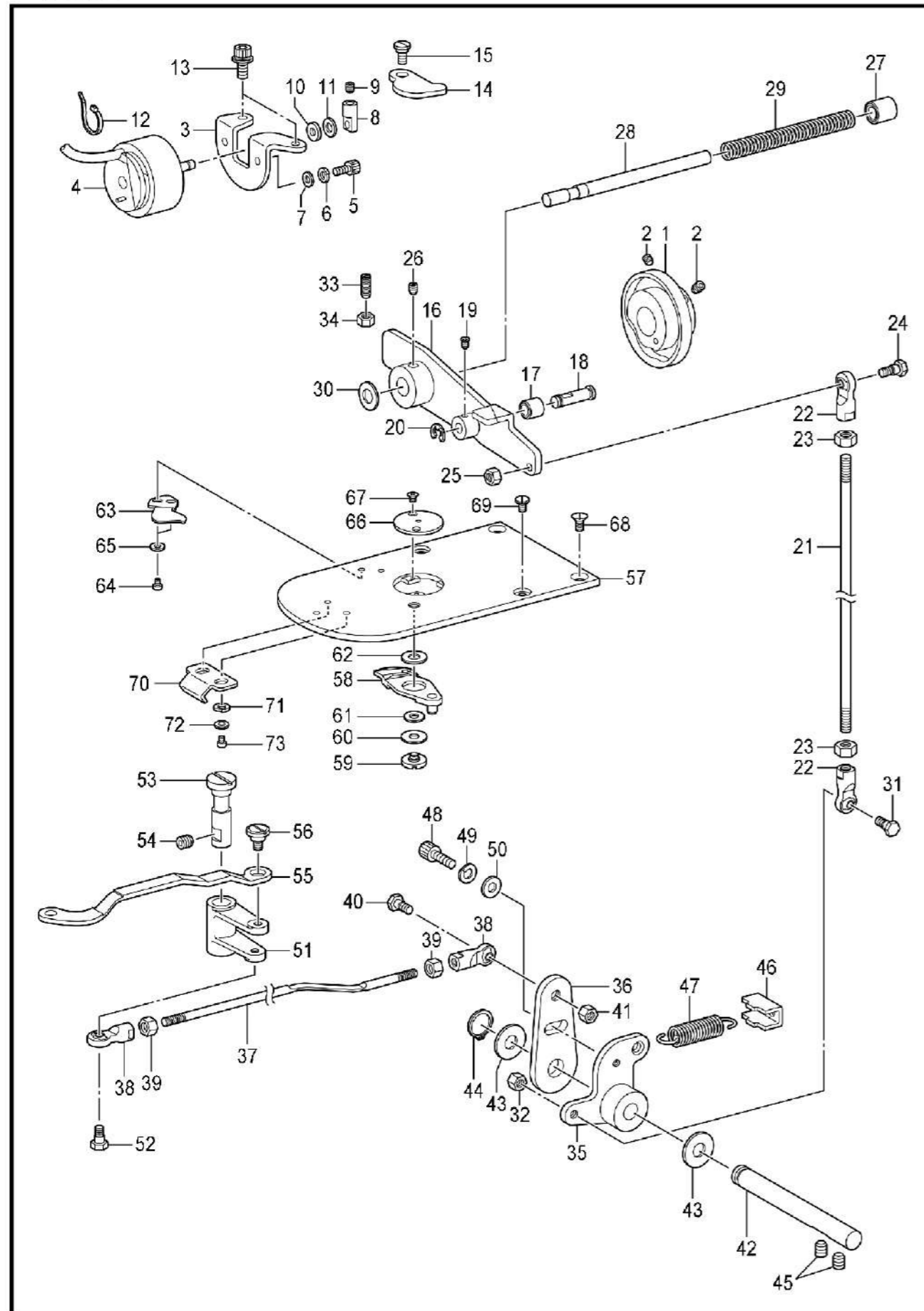
H. 卷线装置 / Bobbin winder mechanism



H. 卷线装置 / Bobbin winder mechanism

| 参照号 | 零部件序号       | 数量 | 零部件名称     | NAME OF PARTS               | RM |
|-----|-------------|----|-----------|-----------------------------|----|
| 1   | CSA4795001  | 1  | 顶盖        | TOP COVER                   |    |
| 2   | CSA3290001  | 1  | 卷线手柄轴     | SHAFT,BW-LEVER              |    |
| 3   | C 012500536 | 1  | 螺钉 M5X5   | SET SCREW SOCKET (FT) M5X5  |    |
| 4   | CSA3291001  | 1  | 卷线手柄      | BOBBIN WINDER LEVER         |    |
| 5   | CSA4171001  | 1  | 弹簧挂钩      | SPRING HOOK                 |    |
| 6   | C 152936001 | 1  | 板弹簧       | PLATE SPRING                |    |
| 7   | C 152937001 | 1  | 垫圈        | WASHER                      |    |
| 8   | C 062350616 | 1  | 螺钉 M3.5X6 | SCREW PAN M3.5X6            |    |
| 9   | C 159486001 | 1  | 垫圈        | WASHER                      |    |
| 10  | C 048050342 | 1  | 挡圈 E5     | RETAINING RING E5           |    |
| 11  | CSA3293001  | 1  | 卷线卡爪轴     | STUD,B-WINDER CLAW          |    |
| 12  | CSA1984001  | 1  | 梭芯压臂柄     | BOBBIN PRESSER ARM          |    |
| 13  | C 062401216 | 1  | 螺钉 M4X12  | SCREW PAN M4X12             |    |
| 14  | CSA3294001  | 1  | 梭芯压杆      | BOBBIN PRESSER              |    |
| 15  | CS23418002  | 1  | 螺钉 M4X5   | SCREW, M4X5                 |    |
| 16  | CSA3295001  | 1  | 卷线卡爪      | CLAW,B-WINDER               |    |
| 17  | C 012400436 | 2  | 螺钉 M4X4   | SET SCREW SOCKET (FT) M4X4  |    |
| 18  | CS10438001  | 1  | 弹簧        | SPRING, TWIST               |    |
| 19  | C 048050342 | 2  | 挡圈 E5     | RETAINING RING E5           |    |
| 20  | CSA4796001  | 1  | 垫片        | SPACER COLLER               |    |
| 21  | CSA3296001  | 1  | 卷线轴       | BOBBIN WINDER SHAFT         |    |
| 22  | CSA3297001  | 1  | 卷线器       | WHEEL,B-WINDER              |    |
| 23  | C 120448001 | 1  | 橡皮圈       | BOBBIN WINDER RUBBER BAND   |    |
| 24  | C 012400436 | 2  | 螺钉 M4X4   | SET SCREW SOCKET (FT) M4X4  |    |
| 25  | C 159486001 | 2  | 垫圈        | WASHER                      |    |
| 26  | CSA1988001  | 1  | 梭芯座       | BOBBIN SUPPORT              |    |
| 27  | CS10268001  | 1  | 拉簧        | SPRING                      |    |
| 28  | CSA3298001  | 1  | 止动轴       | STPPER SHAFT,B-WINDER       |    |
| 29  | CSA3299001  | 1  | 切刀        | KNIFE                       |    |
| 30  | C 062500616 | 1  | 螺钉 M5X6   | SCREW PAN M5X6              |    |
| 31  | CSA1994101  | 1  | 卷线器夹线组件   | BOBBIN WINDER TENSION ASSY  |    |
| 32  | C 145446002 | 2  | 夹线盘       | DISC, TENSION               |    |
| 33  | C 100401022 | 1  | 夹线弹簧      | TENSION SPRING              |    |
| 34  | CS31032001  | 1  | 压线螺母      | TENSION NUT                 |    |
| 35  | CS12441001  | 1  | 止动垫圈      | WASHER                      |    |
| 36  | C 012500536 | 1  | 螺钉 M5X5   | SET SCREW SOCKET (FT) M5X5  |    |
| 37  | C 062061016 | 6  | 螺钉 M6X10  | SCREW PAN M6X10             |    |
| 38  | CSA4797101  | 1  | 卷线驱动轮     | DRIVING WHEEL B-WINDER      |    |
| 39  | CS23651001  | 2  | 固定螺钉 M6X6 | SET SCREW, SOCKET (FT) M6X6 |    |

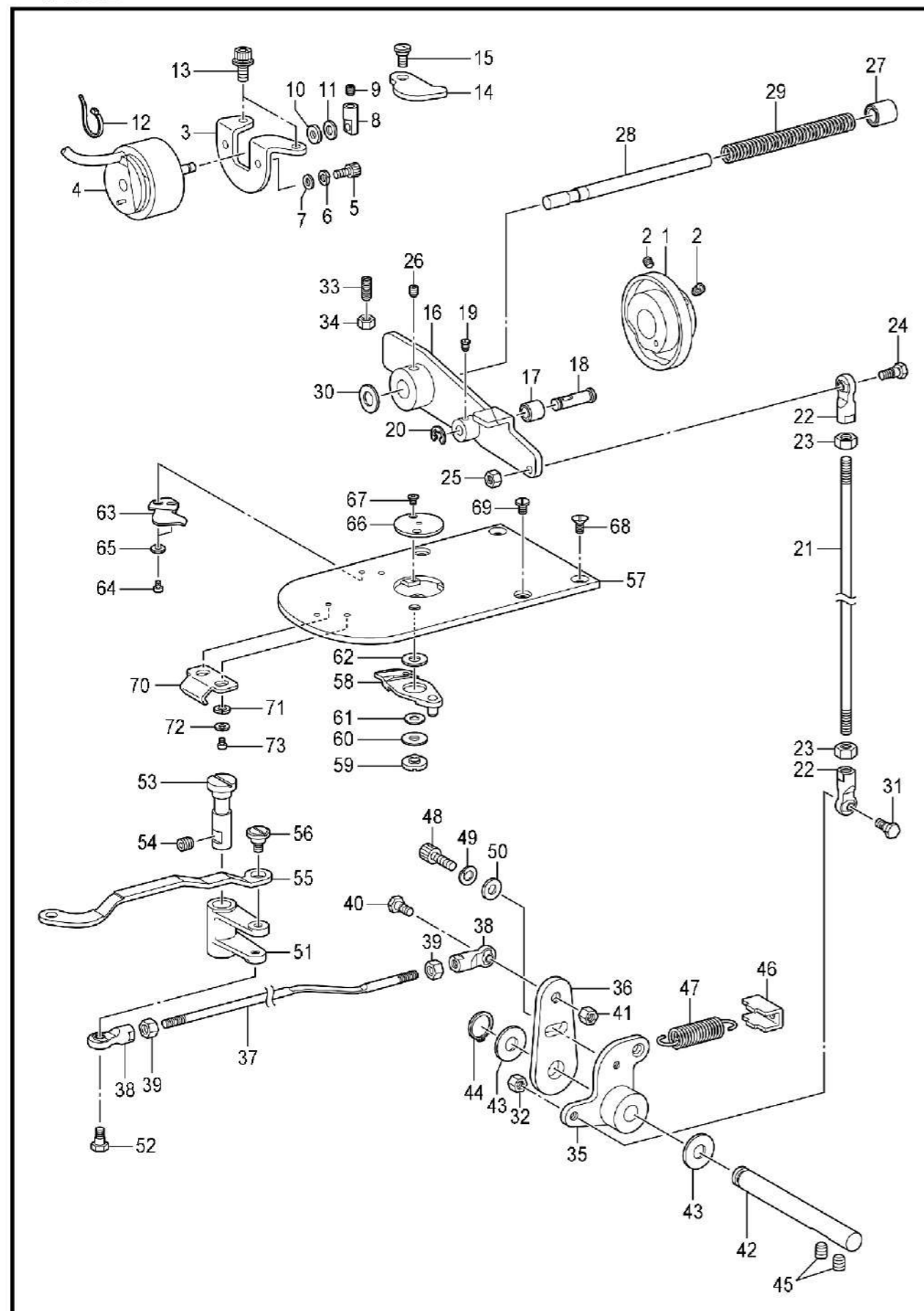
J. 切线装置 / Thread trimmer mechanism



J. 切线装置 / Thread trimmer mechanism

| 参照号 | 零部件序号      | 数量 | 零部件名称         | NAME OF PARTS                  | RM |
|-----|------------|----|---------------|--------------------------------|----|
| 1   | CSA3301101 | 1  | 切线凸轮          | THREAD TRIMMER CAM             |    |
| 2   | CS23651001 | 2  | 固定螺钉 M6X8     | SET SCREW, SOCKET (FT) M6X8    |    |
| 3   | CSA4798001 | 1  | 电磁铁安装板        | SETTING PLATE SOLENOID         |    |
| 4   | CSA5135001 | 1  | 切线电磁铁         | THREAD TRIMMER SOLENOID        |    |
| 5   | C017400802 | 2  | 螺栓 M4X8       | BOLT M4X8                      |    |
| 6   | C028040246 | 2  | 弹簧垫圈 2-4      | WASHER SPRING 2-4              |    |
| 7   | C025040236 | 2  | 平垫圈 M4        | WASHER PLAIN M4                |    |
| 8   | CSA3307001 | 1  | 电磁铁杆          | SOLENOID LEVER                 |    |
| 9   | C012400436 | 1  | 螺钉 M4X4       | SET SCREW SOCKET (FT) M4X4     |    |
| 10  | C154599000 | 1  | 电磁铁缓冲垫圈       | SOLENOID CUSHION               |    |
| 11  | CS02652001 | 1  | 垫圈            | WASHER                         |    |
| 12  | CS04159000 | 1  | 线夹 1M         | BAND, 1M                       |    |
| 13  | CS55484002 | 2  | 螺栓(带垫圈) M5X10 | BOLT, SOCKET (S/P WASHER)M5X10 |    |
| 14  | CSA4799001 | 1  | 驱动压杆          | PUSHING LEVER D-LEVER          |    |
| 15  | CSA3306001 | 1  | 段螺钉 7-3       | SHOULDER SCREW, 7-3            |    |
| 16  | CSA3309101 | 1  | 切线驱动杆         | TR-DRIVING LEVER               |    |
| 17  | CSA3310001 | 1  | 切线滚轮          | COLLAR, TR-TRIMMER             |    |
| 18  | CSA3311001 | 1  | 切线滚轮轴         | COLLAR SHAFT                   |    |
| 19  | CS46903001 | 1  | 螺钉 M4X5       | SET SCREW, M4X5                |    |
| 20  | C048040342 | 1  | 挡圈 E4         | RETAINING RING E4              |    |
| 21  | CSA3315001 | 1  | 切线杆 V         | THREAD TRIMMER ROD V           |    |
| 22  | CS32465001 | 2  | 接头组件          | BALL JOINT ASSY                |    |
| 23  | C021060106 | 2  | 螺母 M6         | NUT 1 M6                       |    |
| 24  | CS32462001 | 1  | 段螺钉 B M6      | SHOULDER SCREW, B ;M6          |    |
| 25  | C021060306 | 1  | 六角螺母 M6       | NUT 3 M6                       |    |
| 26  | CS23651001 | 1  | 固定螺钉 M6X8     | SET SCREW, SOCKET (FT) M6X8    |    |
| 27  | C231071001 | 1  | 轴套 8X15       | BUSH, 8X15                     |    |
| 28  | CSA3312001 | 1  | 驱动杆导向轴        | GUIDE SHAFT                    |    |
| 29  | CSA3313101 | 1  | 弹簧            | SPRING, COMPRESSION            |    |
| 30  | C154596000 | 1  | 减震垫圈          | CUSHION                        |    |
| 31  | CS32462001 | 1  | 段螺钉 B M6      | SHOULDER SCREW, B ;M6          |    |
| 32  | C021060306 | 1  | 六角螺母 M6       | NUT 3 M6                       |    |
| 33  | CS25475101 | 1  | 螺钉 M6X19      | SET SCREW, M6X19               |    |
| 34  | C021060106 | 1  | 螺母 M6         | NUT 1 M6                       |    |
| 35  | CSA4546001 | 1  | 切线杠杆 V        | THREAD TRIMMER LEVER V         |    |
| 36  | CSA3317001 | 1  | 切线杠杆 H        | THREAD TRIMMER LEVER H         |    |
| 37  | CSA4801001 | 1  | 切线杆 H         | THREAD TRIMMER ROD H           |    |
| 38  | CS32465001 | 2  | 接头组件          | BALL JOINT ASSY                |    |
| 39  | C021060106 | 2  | 螺母 M6         | NUT 1 M6                       |    |
| 40  | CS32462001 | 1  | 段螺钉 B M6      | SHOULDER SCREW, B ;M6          |    |
| 41  | C021060306 | 1  | 六角螺母 M6       | NUT 3 M6                       |    |
| 42  | CSA3319101 | 1  | 切线杠杆轴         | SHAFT, TR-TRIMMER LEVER        |    |
| 43  | CSA4545001 | 2  | 垫片            | SPACER                         |    |
| 44  | C048080142 | 1  | 轴用挡圈 C8       | RETAINING RING EXTERNAL C8     |    |
| 45  | C012060636 | 2  | 螺钉 M6X6       | SET SCREW SOCKET (FT) M6X6     |    |
| 46  | CSA3320101 | 1  | 弹簧挂钩          | SPRING HOOK                    |    |
| 47  | CSA3321001 | 1  | 切线复位弹簧        | SPRING, EXTENSION              |    |
| 48  | C018501236 | 1  | 螺栓 M5X12      | BOLT SOCKET M5X12              |    |
| 49  | C028050246 | 1  | 弹簧垫圈 2-5      | WASHER SPRING 2-5              |    |
| 50  | C146354002 | 1  | 垫圈 5          | WASHER, PLAIN 5                |    |
| 51  | CSA3324001 | 1  | 动刀曲柄          | MOVING KNIFE LEVER             |    |
| 52  | CSA3325001 | 1  | 段螺钉 6.35-6    | SHOULDER SCREW, 6.35-6         |    |
| 53  | CSA4802001 | 1  | 动刀杆轴          | SHAFT MOVABLE KNIFE LEVER      |    |
| 54  | C012060636 | 1  | 螺钉 M6X6       | SET SCREW SOCKET (FT) M6X6     |    |
| 55  | CSA3327101 | 1  | 动刀连杆          | M-KNIFE CONNECTING PLATE       |    |
| 56  | CSA4354001 | 1  | 段螺钉 6-1.8     | SHOULDER SCREW, 6-1.8          |    |

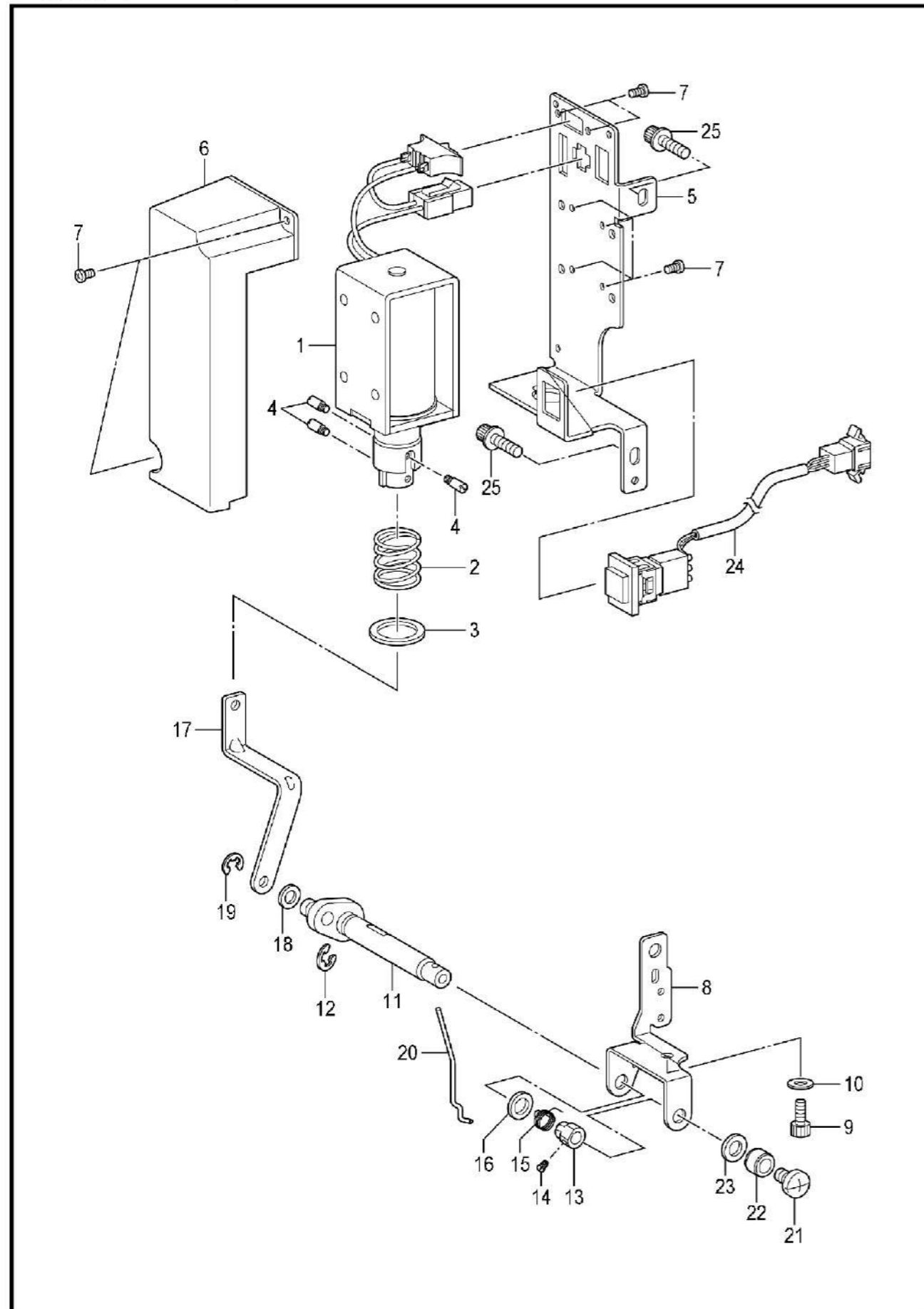
J. 切线装置 / Thread trimmer mechanism



J. 切线装置 / Thread trimmer mechanism

| 参照号 | 零部件序号      | 数量 | 零部件名称     | NAME OF PARTS                | RM |
|-----|------------|----|-----------|------------------------------|----|
| 57  | CSA5157001 | 1  | 针板 A      | NEEDLE PLATE A               |    |
| 58  | CSA3330101 | 1  | 动刀组件 F    | MOVABLE KNIFE ASSY F         |    |
| 59  | CSA4518001 | 1  | 段螺钉       | MOVABLE KNIFE SHOULDER SCREW |    |
| 60  | CSA4519001 | 1  | 动刀围套      | THRUST WASHER                |    |
| 61  | CS00705001 | 1  | 动刀围套      | MOVABLE KNIFE COLLAR         |    |
| 62  | CSA6397001 | 1  | 垫片 0.2    | M-KNIFE SPACER T0.2          |    |
| 62  | CSA3334001 | 1  | 垫片 0.3    | M-KNIFE SPACER T0.3          |    |
| 62  | CSA6398001 | 1  | 垫片 0.4    | M-KNIFE SPACER T0.4          |    |
| 63  | CSA3335001 | 1  | 定刀 F      | FIXED KNIFE F                |    |
| 64  | C062300416 | 2  | 螺钉 M3X4   | SCREW PAN M3X4               |    |
| 65  | C025030236 | 2  | 平垫圈 M3    | WASHER PLAIN M3              |    |
| 66  | C* P. 66   | 1  | 针孔板       | NEEDLE HOLE PLATE            |    |
| 67  | C100360003 | 2  | 螺钉 SM2.38 | SCREW                        |    |
| 68  | CS25310101 | 2  | 螺钉 M4     | SCREW, FLAT M4               |    |
| 69  | CSA3538001 | 2  | 螺钉 M4X8   | SCREW, M4X8                  |    |
| 70  | CSA6273001 | 1  | 大旋梭盖挂钩 U  | SHUTTLE BASE COVER HOOK U    |    |
| 71  | C028030246 | 2  | 弹簧垫圈 2-3  | WASHER SPRING 2-3            |    |
| 72  | C025030236 | 2  | 平垫圈 M3    | WASHER PLAIN M3              |    |
| 73  | C062300416 | 2  | 螺钉 M3X4   | SCREW PAN M3X4               |    |

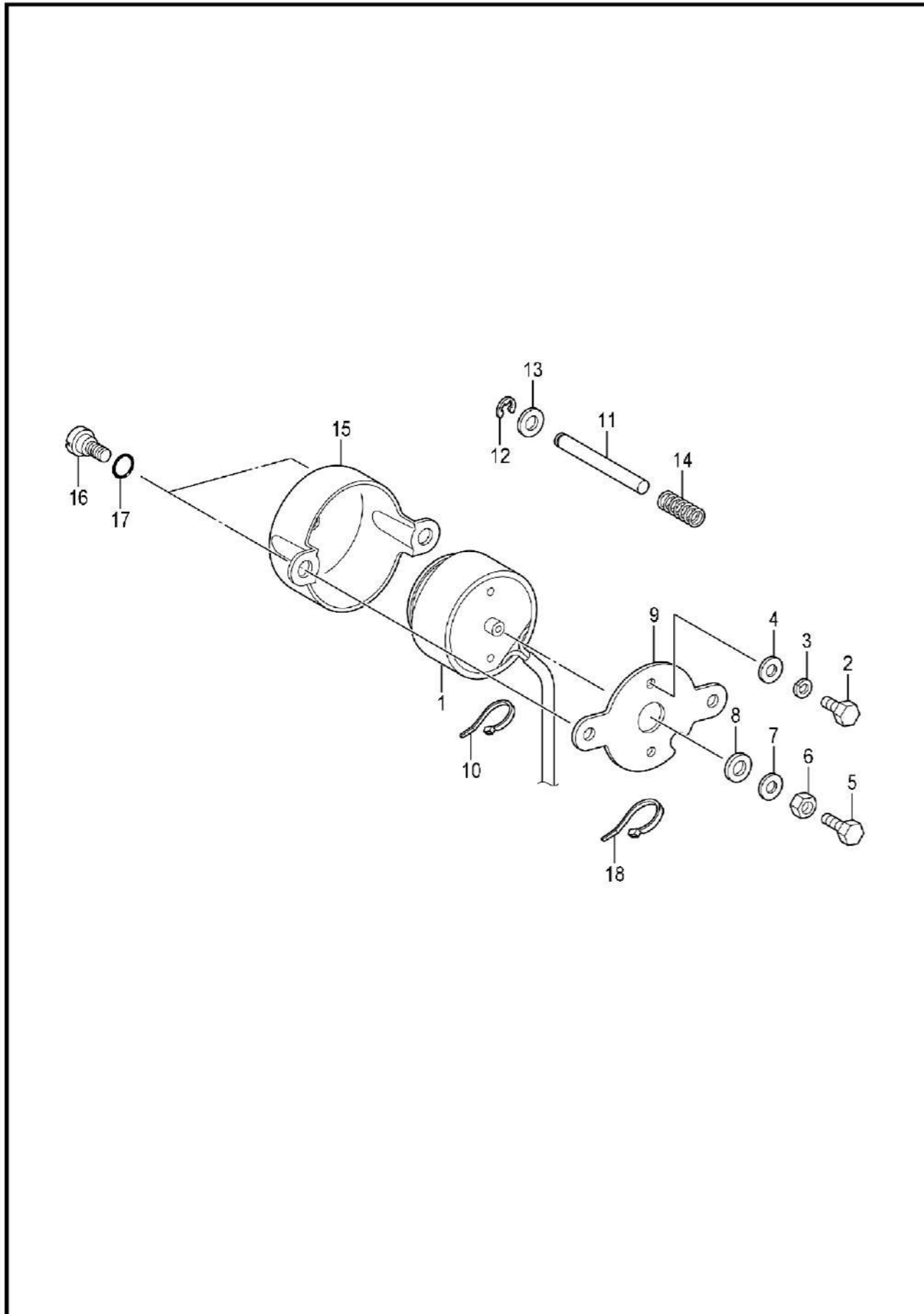
K. 扫线装置 / Thread wiper mechanism



K. 扫线装置 / Thread wiper mechanism

| 参照号 | 零部件序号      | 数量 | 零部件名称         | NAME OF PARTS                  | RM |
|-----|------------|----|---------------|--------------------------------|----|
| 1   | CSA5208001 | 1  | 扫线电磁铁组件       | THREAD WIPER SOLENOID ASSY     |    |
| 2   | CS41206001 | 1  | 挡线弹簧          | THREAD WIPER SPRING            |    |
| 3   | CS41205001 | 1  | 平垫圈           | WASHER, PLAIN                  |    |
| 4   | CS25456001 | 3  | 柱塞销           | PLUNGER PIN                    |    |
| 5   | CSA5217001 | 1  | 扫线电磁铁接装板      | T-WIPER SOLENOID SETTING PLATE |    |
| 6   | CSA4806001 | 1  | 电磁铁盖          | SOLENOID COVER                 |    |
| 7   | C062300616 | 8  | 螺钉 M3X6       | SCREW PAN M3X6                 |    |
| 8   | CSA5218001 | 1  | 扫线轴托架         | THREAD WIPER SHAFT BRACKET     |    |
| 9   | C018400836 | 1  | 螺栓 M4X8       | BOLT SOCKET M4X8               |    |
| 10  | C025040236 | 1  | 平垫圈 M4        | WASHER PLAIN M4                |    |
| 11  | CSA1967001 | 1  | 扫线曲轴组件        | THREAD WIPER CRANK ASSY        |    |
| 12  | C048040342 | 1  | 挡圈 E4         | RETAINING RING E4              |    |
| 13  | CS25454001 | 1  | 螺纹紧圈          | SET SCREW COLLAR               |    |
| 14  | CS25279001 | 1  | 螺钉 M3.5-5     | SET SCREW, (CP) M3.5-5         |    |
| 15  | CSA2287001 | 1  | 弹簧            | SPRING                         |    |
| 16  | C149097000 | 1  | 消音垫           | SILENT SHEET                   |    |
| 17  | CSA5219001 | 1  | 扫线杆           | THREAD WIPER ROD               |    |
| 18  | C110735001 | 1  | 垫圈            | WASHER                         |    |
| 19  | C048030342 | 1  | 挡圈 E3         | RETAINING RING E3              |    |
| 20  | CS10470101 | 1  | 扫线            | WIPER                          |    |
| 21  | C060400516 | 1  | 螺钉 M4X5       | SCREW BIND M4X5                |    |
| 22  | C146288001 | 1  | 扫线轴挡圈         | THREAD WIPER STUD COLLAR       |    |
| 23  | CS03677001 | 1  | 垫圈            | WASHER                         |    |
| 24  | CSA5213001 | 1  | 停止开关组件        | STOP SWITCH ASSY               |    |
| 25  | CS55485001 | 2  | 螺栓(带垫圈) M5X12 | BOLT, SOCKET (S/P WASHER)M5X12 |    |

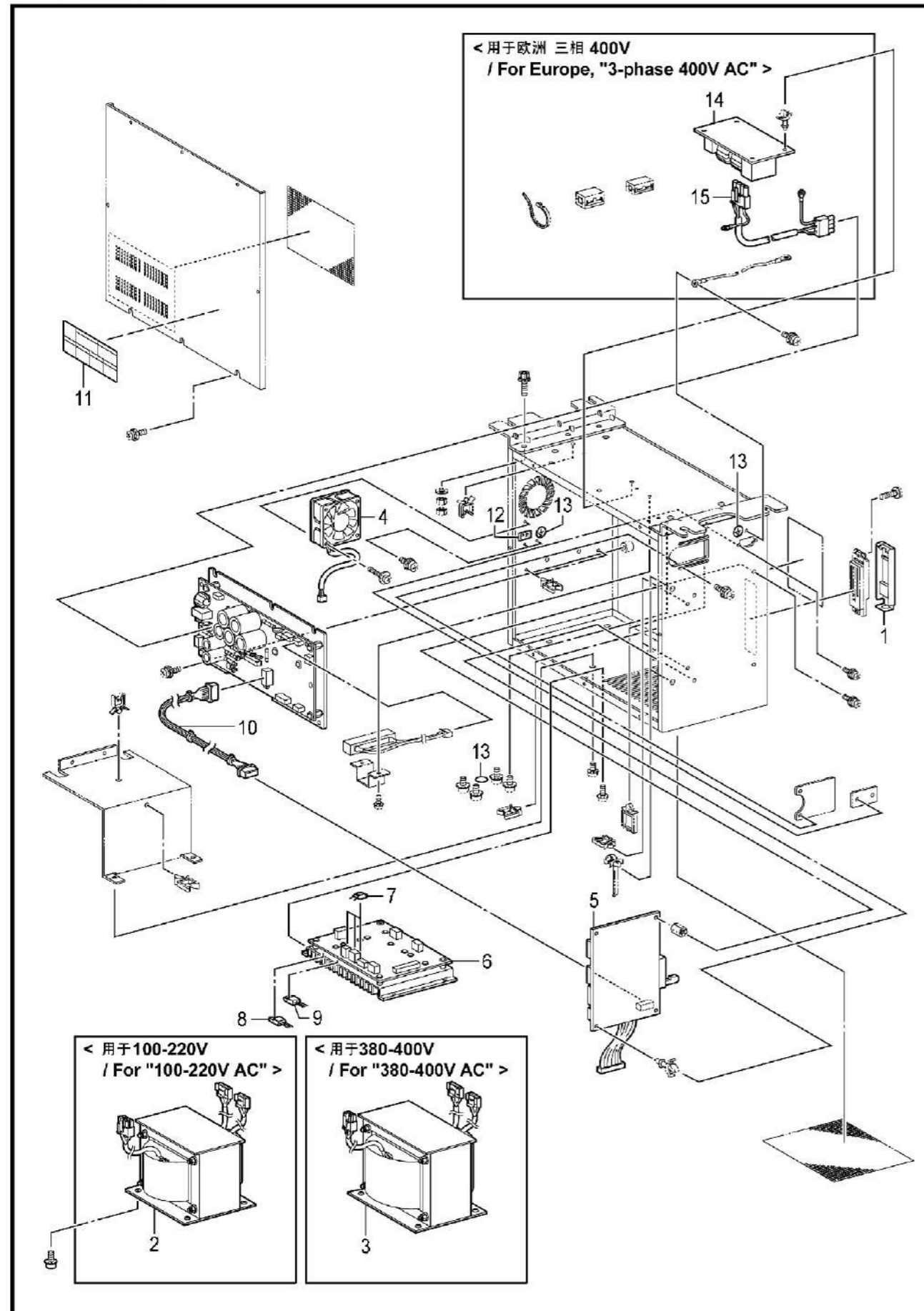
L. 松线装置 / Tension release mechanism



L. 松线装置 / Tension release mechanism

| 参照号 | 零部件序号      | 数量 | 零部件名称    | NAME OF PARTS               | RM |
|-----|------------|----|----------|-----------------------------|----|
| 1   | CSA4855001 | 1  | 松线电磁铁 HV | TENSION RELEASE SOLENOID HV |    |
| 2   | C017400802 | 2  | 螺栓 M4X8  | BOLT M4X8                   |    |
| 3   | C028040246 | 2  | 弹簧垫圈 2-4 | WASHER SPRING 2-4           |    |
| 4   | C025040236 | 2  | 平垫圈 M4   | WASHER PLAIN M 4            |    |
| 5   | C017401415 | 1  | 螺栓 M4X14 | BOLT M4X14                  |    |
| 6   | C021400306 | 1  | 六角螺母 M4  | NUT 3 M4                    |    |
| 7   | C102707002 | 1  | 垫圈 4     | WASHER                      |    |
| 8   | C154599000 | 1  | 电磁铁缓冲垫圈  | SOLENOID CUSHION            |    |
| 9   | CSA6389001 | 1  | 电磁铁安装板   | SETTING PLATE SOLENOID      |    |
| 10  | CS04159000 | 1  | 线夹 1M    | BAND, 1M                    |    |
| 11  | CSA3347001 | 1  | 松线杆      | TENSION RELEASE BAR         |    |
| 12  | C048040342 | 1  | 挡圈 E4    | RETAINING RING E4           |    |
| 13  | C025050236 | 1  | 平垫圈 M5   | WASHER PLAIN M 5            |    |
| 14  | CSA3348001 | 1  | 弹簧       | SPRING, COMPRESSION         |    |
| 15  | CSA3349001 | 1  | 电磁铁盖     | SOLENOID COVER              |    |
| 16  | CSA3306001 | 2  | 段螺钉 7-3  | SHOULDER SCREW, 7-3         |    |
| 17  | C081007070 | 2  | O形圈 P7   | O RING P7                   |    |
| 18  | C218859001 | 1  | 电线夹 M150 | BINDER, M150                |    |

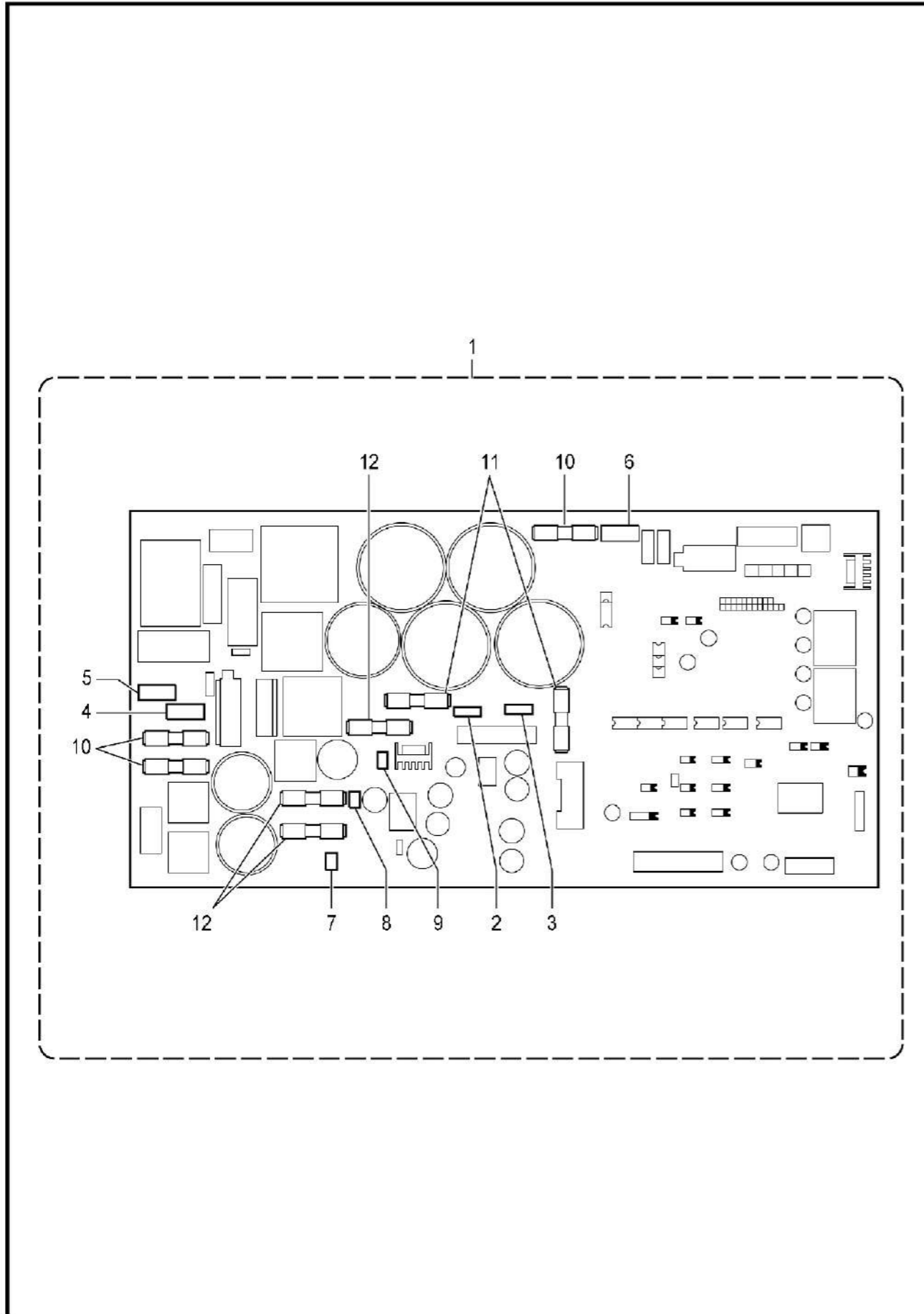
M1. 控制箱装置 / Control box mechanism



M1. 控制箱装置 / Control box mechanism

| 参照号 | 零部件序号      | 数量 | 零部件名称                  | NAME OF PARTS                                   | RM |
|-----|------------|----|------------------------|---|----|
| 1   | CSA6364001 | 1  | 盖组件 CF                 | CF CAP ASSY                                     |    |
| 2   | CSA3720001 | 1  | <用于100-220V><br>变压器 LV | <For "100-220V AC"><br>TRANSFORMER LOW VOLTAGE  |    |
| 3   | CSA3808001 | 1  | <用于380-400V><br>变压器 HV | <For "380-400V AC"><br>TRANSFORMER HIGH VOLTAGE |    |
| 4   | CSA3797001 | 1  | DC风扇马达组件               | DC-FAN MOTOR ASSY                               |    |
| 5   | CSA4556001 | 1  | 主基板组件                  | PCB ASSY,MAIN                                   |    |
| 6   | CSA3739301 | 1  | 基板组件 PMD               | PCB ASSY,PMD                                    |    |
| 7   | CSA3744001 | 3  | FET FS10ASJ-2          | TRANSISTOR,FET:FS10ASJ-2                        |    |
| 8   | CSA3722001 | 1  | MOSFET FX20KMJ2        | TRANSISTOR,FET:FX20KMJ-2                        |    |
| 9   | CS49484000 | 1  | MOSFETFS10KMJ-2        | TRANSISTOR,FET:FS10KMJ-2                        |    |
| 10  | CSA3806001 | 1  | 电线                     | HARNESS, MAIN POWER SUPPLY                      |    |
| 11  | CJ04115001 | 1  | 感电标签(6国)               | LABEL, ELEC. SHOCK 6 LANG                       |    |
| 12  | C537060001 | 1  | 标记 PE                  | LABEL, PE                                       |    |
| 13  | CS37059001 | 3  | PE标记                   | LABEL, GROUNDING                                |    |
| 14  | CSA3581001 | 1  | <用于欧洲 三相 400V><br>基板组件 | <For Europe,"3-phase 400V AC"><br>PCB ASSY,NF   |    |
| 15  | CSA3796001 | 1  | 电线 NF OUT              | HARNESS,NF OUT                                  |    |

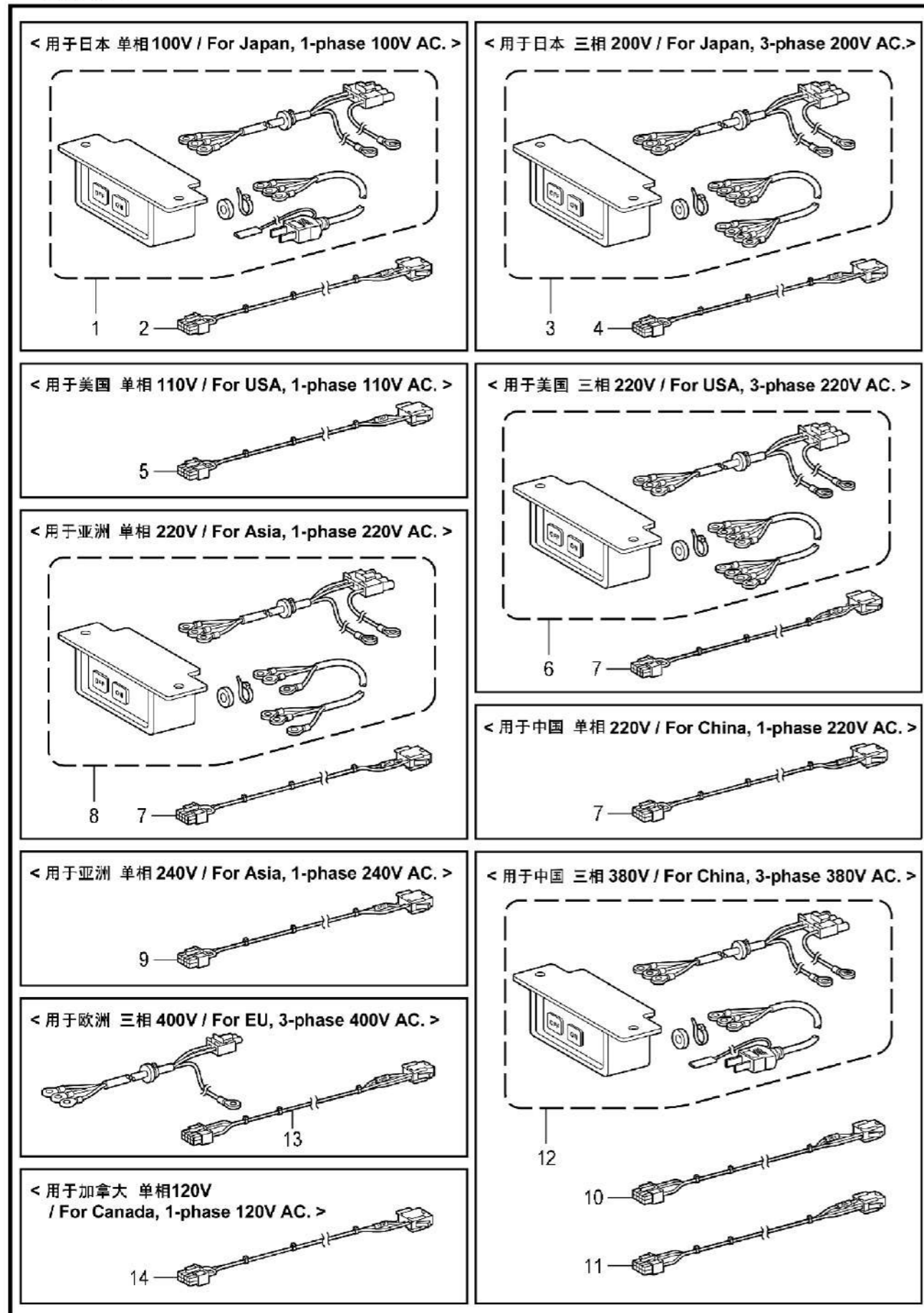
M2 . 控制箱装置 (电源基板) / Control box (PCB) mechanism



M2. 控制箱装置 (电源基板) / Control box (PCB) mechanism

| 参照号 | 零部件序号      | 数量 | 零部件名称        | NAME OF PARTS               | RM |
|-----|------------|----|--------------|-----------------------------|----|
| 1   | CSA3755201 | 1  | 电源马达基板组件     | PCB ASSY.POWER SUPPLY MOTOR |    |
| 2   | CSA3765001 | 1  | 电阻 V10D101   | VARISTOR:V10D101            |    |
| 3   | CSA3766001 | 1  | 电阻 V10D241   | VARISTOR:V10D241            |    |
| 4   | CSA3767001 | 1  | 电阻 V14D511   | VARISTOR:V14D511            |    |
| 5   | CSA3762001 | 1  | 电阻 V14D911   | VARISTOR:V14D911            |    |
| 6   | CSA3768001 | 1  | 电阻 V14D561   | VARISTOR:V14D561            |    |
| 7   | CSA3769001 | 1  | 电阻 V5D121    | VARISTOR:V5D121             |    |
| 8   | CSA3770001 | 1  | 电阻 V5D330    | VARISTOR:V5D330             |    |
| 9   | CSA3771001 | 1  | 电阻 V5D820    | VARISTOR:V5D820             |    |
| 10  | CSA3794001 | 3  | 保险丝 250V-15A | G FUSE S 15A                |    |
| 11  | CSA3795001 | 2  | 保险丝 250V-6A  | G FUSE S 6A                 |    |
| 12  | C616167001 | 3  | 保险丝 250V-3A  | G FUSE S 3A                 |    |

N. 开关装置 / Power switch mechanism

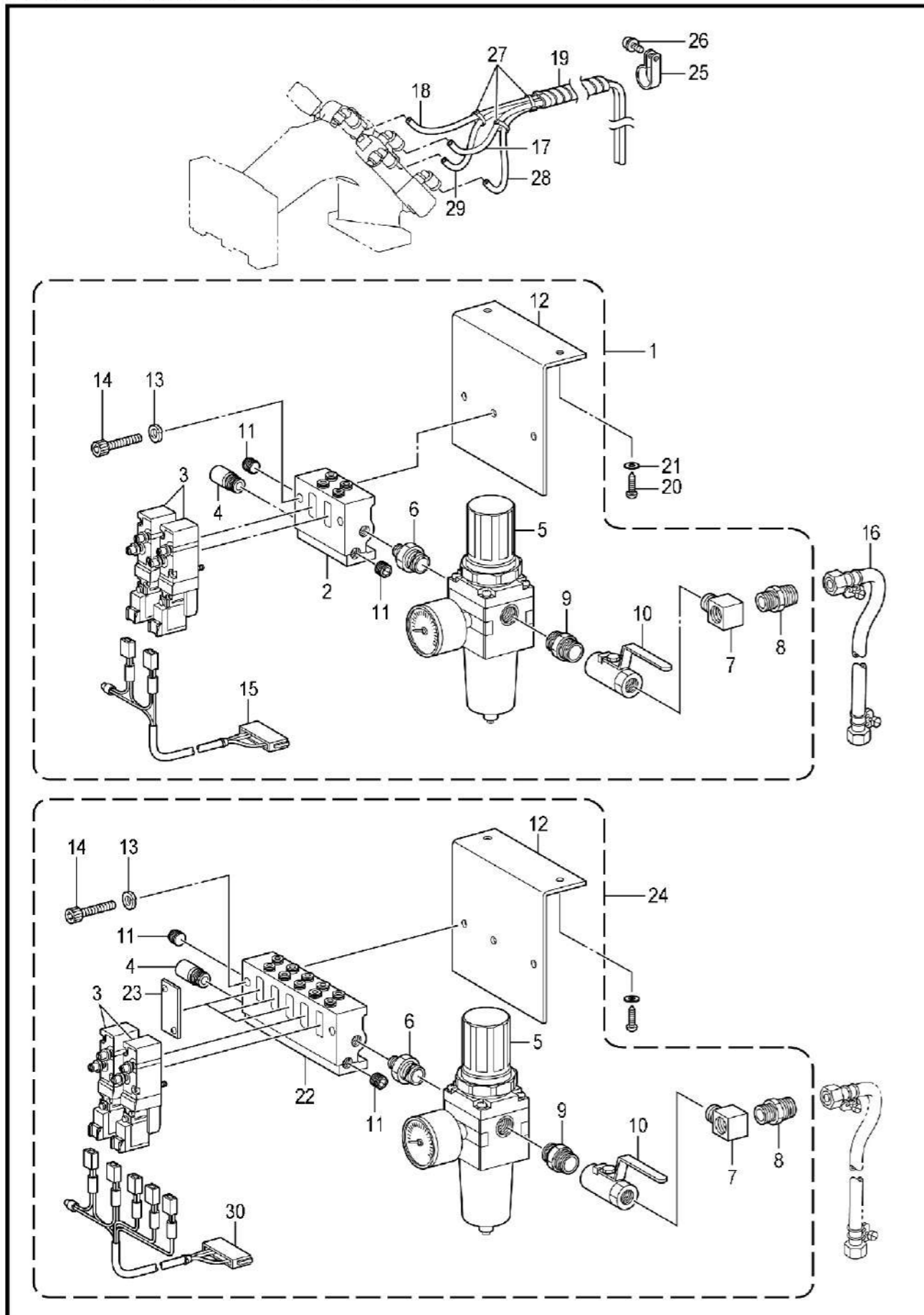


N. 开关装置 / Power switch mechanism

| 参照号 | 零部件序号      | 数量 | 零部件名称                          | NAME OF PARTS   | RM |
|-----|------------|----|--------------------------------|---|----|
| 1   | CSA3813001 | 1  | <用于日本 单相 100V><br>电源开关组件 1P-JP | <For Japan, 1-phase 100V AC.><br>POWER SUPPLY SWITCH ASSY,1P-JP |    |
| 2   | CSA3822001 | 1  | V切换电线 100V                     | VOLTAGE SELECT HARNESS 100V                                     |    |
| 3   | CSA3819001 | 1  | <用于日本 三相 200V><br>电源开关组件 3P-JP | <For Japan,3-phase 200V AC.><br>POWER SUPPLY SWITCH ASSY,3P-JP  |    |
| 4   | CSA3825001 | 1  | V切换电线 200V                     | VOLTAGE SELECT HARNESS 200V                                     |    |
| 5   | CSA3823001 | 1  | <用于美国 单相 110V><br>V切换电线 110V   | <For USA,1-phase 110V AC.><br>VOLTAGE SELECT HARNESS 110V       |    |
| 6   | CSA3816001 | 1  | <用于美国 三相 220V><br>电源开关组件 3P-L  | <For USA,3-phase 220V AC.><br>POWER SUPPLY SWITCH ASSY,3P-L     |    |
| 7   | CSA3812001 | 1  | V切换电线 220V                     | VOLTAGE SELECT HARNESS 220V                                     |    |
| 8   | CSA3809001 | 1  | <用于亚洲 单相 220V><br>电源开关组件 1P    | <For Asia, 1-phase 220V AC.><br>POWER SUPPLY SWITCH ASSY,1P     |    |
| 7   | CSA3812001 | 1  | V切换电线 220V                     | VOLTAGE SELECT HARNESS 220V                                     |    |
| 9   | CSA3826001 | 1  | <用于亚洲 单相 240V><br>V切换电线 240V   | <For Asia, 1-phase 240V AC.><br>VOLTAGE SELECT HARNESS 240V     |    |
| 7   | CSA3812001 | 1  | <用于中国 单相 220V><br>V切换电线 220V   | <For China,1-phase 220V AC.><br>VOLTAGE SELECT HARNESS 220V     |    |
| 10  | CSA3827001 | 1  | <用于中国 三相 380V><br>V切换电线 380V   | <For China,3-phase 380V AC.><br>VOLTAGE SELECT HARNESS 380V     |    |
| 11  | CSA3789101 | 1  | V切换电线 H220V                    | VOLTAGE SELECT HARNESS H220V                                    |    |
| 12  | CSA4510001 | 1  | 电源开关组件 3P-H                    | POWER SUPPLY SWITCH ASSY,3P-H                                   |    |
| 13  | CSA3828001 | 1  | <用于欧洲 三相 400V><br>V切换电线 400V   | <For Europe,3-phase 400V AC.><br>VOLTAGE SELECT HARNESS 400V    |    |
| 14  | CSA3824001 | 1  | <用于加拿大 单相 120V><br>V切换电线 120V  | <For Canada, 1-phase 120V AC.><br>VOLTAGE SELECT HARNESS 120V   |    |

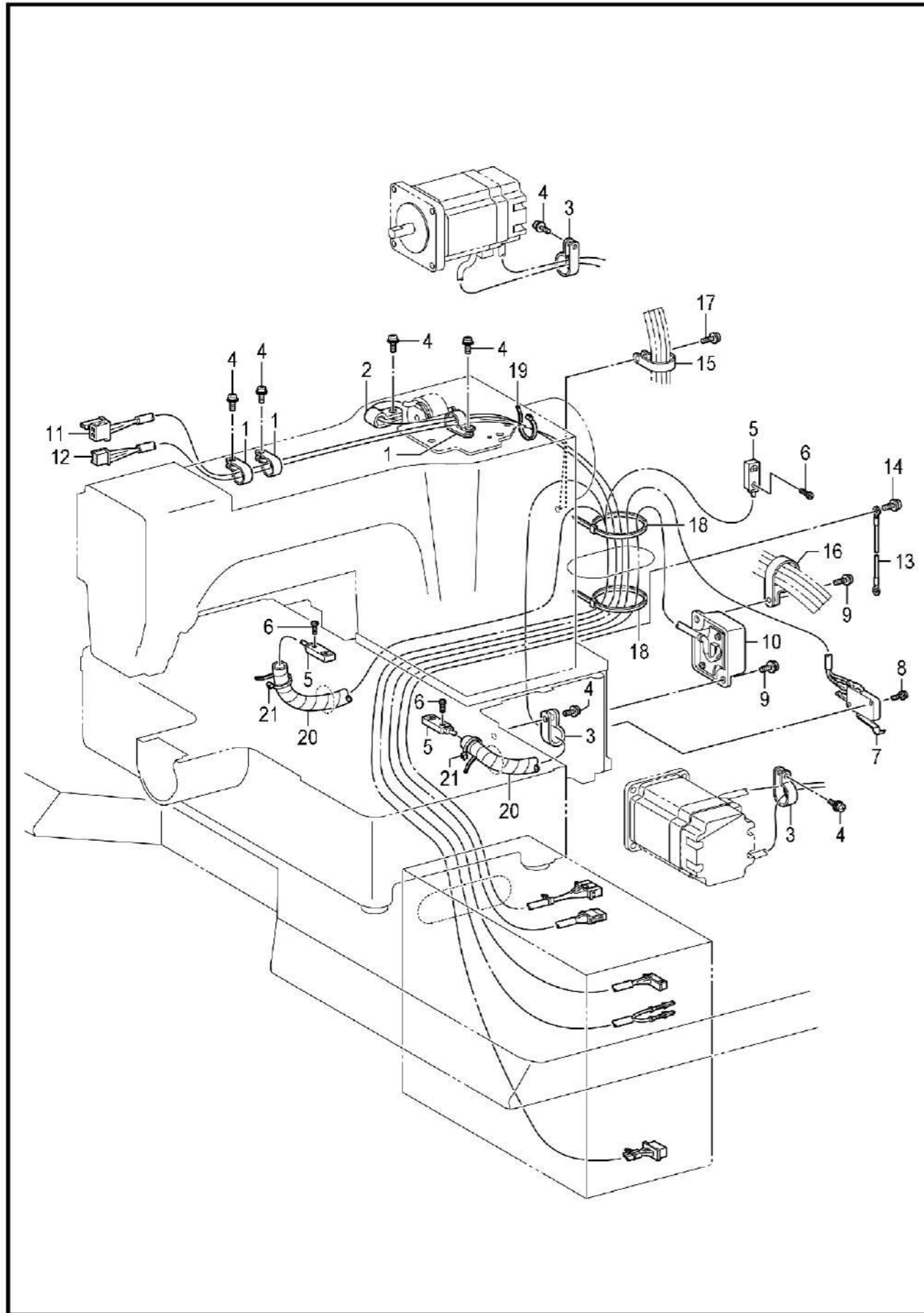
P. 空压装置 / Air pressure mechanism

P. 空压装置 / Air pressure mechanism



| 参照号 | 零部件序号      | 数量 | 零部件名称           | NAME OF PARTS                | RM |
|-----|------------|----|-----------------|------------------------------|----|
|     |            |    | <空压式>           | <For Pneumatic type>         |    |
| 1   | CSA5281001 | 1  | 电磁阀组件 2A        | SOLENOID VALVE ASSY 2A       |    |
| 2   | CSA5289001 | 1  | 集管 2            | MANIFOLD2                    |    |
| 3   | CS39116100 | 2  | 阀 VQZ2151S-5    | VALVE, VQZ2151S-5            |    |
| 4   | CSA5283001 | 1  | 消音器 AN103-1     | SILENCER AN103-1             |    |
| 5   | CSA5282001 | 1  | 调整器 AW20-02G    | FILTER REGULATOR AW20-02G    |    |
| 6   | CS09228000 | 1  | 管接头             | NIPPLE 1/4X1/8               |    |
| 7   | C153252000 | 1  | 接头 PT           | PT-JOINT                     |    |
| 8   | CS04891000 | 1  | 中间接头 1/4        | MIDDLE NIPPLE, 1/4           |    |
| 9   | CSA5285001 | 1  | 中间接头 1/4        | MIDDLE NIPPLE, 1/4           |    |
| 10  | CSA6573001 | 1  | 球阀 Vo3 1/4      | BALL VALVE Vo3 1/4           |    |
| 11  | C153274001 | 2  | 盖 1/8           | CAP, 1/8                     |    |
| 12  | CSA5286001 | 1  | 阀安装板            | SETTING PLATE VALVE          |    |
| 13  | C028050246 | 2  | 弹簧垫圈 2-5        | WASHER SPRING 2-5            |    |
| 14  | C018503036 | 2  | 螺栓 M5X30        | BOLT SOCKET M5X30            |    |
| 15  | CSA5191001 | 1  | 阀门接线2连组件        | VALVE HARNESS X2 ASSY        |    |
| 16  | C149798001 | 1  | 橡皮管带接头          | AIR HOSE, W/CONNECTOR        |    |
| 17  | CSA6405001 | 1  | 空气管 R           | AIR TUBE, R                  |    |
| 18  | CSA6406001 | 1  | 空气管 L           | AIR TUBE, L                  |    |
| 28  | CSA6405002 | 1  | 空气管 R           | AIR TUBE, R                  |    |
| 29  | CSA6406002 | 1  | 空气管 L           | AIR TUBE, L                  |    |
| 19  | CSA8407001 | 1  | 保护用弹性管 470S     | SPIRAL, 470S                 |    |
| 20  | C032422003 | 2  | 木螺钉 M4.1X20     | WOOD SCREW, ROUND 2 M4.1X20  |    |
| 21  | C148847001 | 2  | 垫圈              | WASHER, PLAIN 4.76           |    |
| 25  | C525664000 | 1  | 电线夹 #6          | CORD HOLDER, #6              |    |
| 26  | C0A5401005 | 1  | 螺栓(带垫圈) M4X10DB | SCREW PAN (S/P WASHER) M4X10 |    |
| 27  | C228475000 | 3  | 电线夹 1.9X80      | FASTENING BAND, 1.9X80       |    |
| 24  | CSA5288001 | 1  | 电磁阀组件 5A        | SOLENOID VALVE ASSY 5A       |    |
| 22  | CSA5290001 | 1  | 集管 5            | MANIFOLD5                    |    |
| 23  | CS53982000 | 3  | 隔板              | BLANKING PLATE ASSY          |    |
| 3   | CS39116100 | 2  | 阀 VQZ2151S-5    | VALVE, VQZ2151S-5            |    |
| 4   | CSA5283001 | 1  | 消音器 AN103-1     | SILENCER AN103-1             |    |
| 5   | CSA5282001 | 1  | 调整器 AW20-02G    | FILTER REGULATOR AW20-02G    |    |
| 6   | CS09228000 | 1  | 管接头             | NIPPLE 1/4X1/8               |    |
| 7   | C153252000 | 1  | 接头 PT           | PT-JOINT                     |    |
| 8   | CS04891000 | 1  | 中间接头 1/4        | MIDDLE NIPPLE, 1/4           |    |
| 9   | CSA5285001 | 1  | 中间接头 1/4        | MIDDLE NIPPLE, 1/4           |    |
| 10  | CSA6573001 | 1  | 球阀 Vo3 1/4      | BALL VALVE Vo3 1/4           |    |
| 11  | C153274001 | 2  | 盖 1/8           | CAP, 1/8                     |    |
| 12  | CSA5286001 | 1  | 阀安装板            | SETTING PLATE VALVE          |    |
| 13  | C028050246 | 2  | 弹簧垫圈 2-5        | WASHER SPRING 2-5            |    |
| 14  | C018503036 | 2  | 螺栓 M5X30        | BOLT SOCKET M5X30            |    |
| 30  | CSA5192001 | 1  | 阀门接线5连组件        | VALVE HARNESS X5 ASSY        |    |

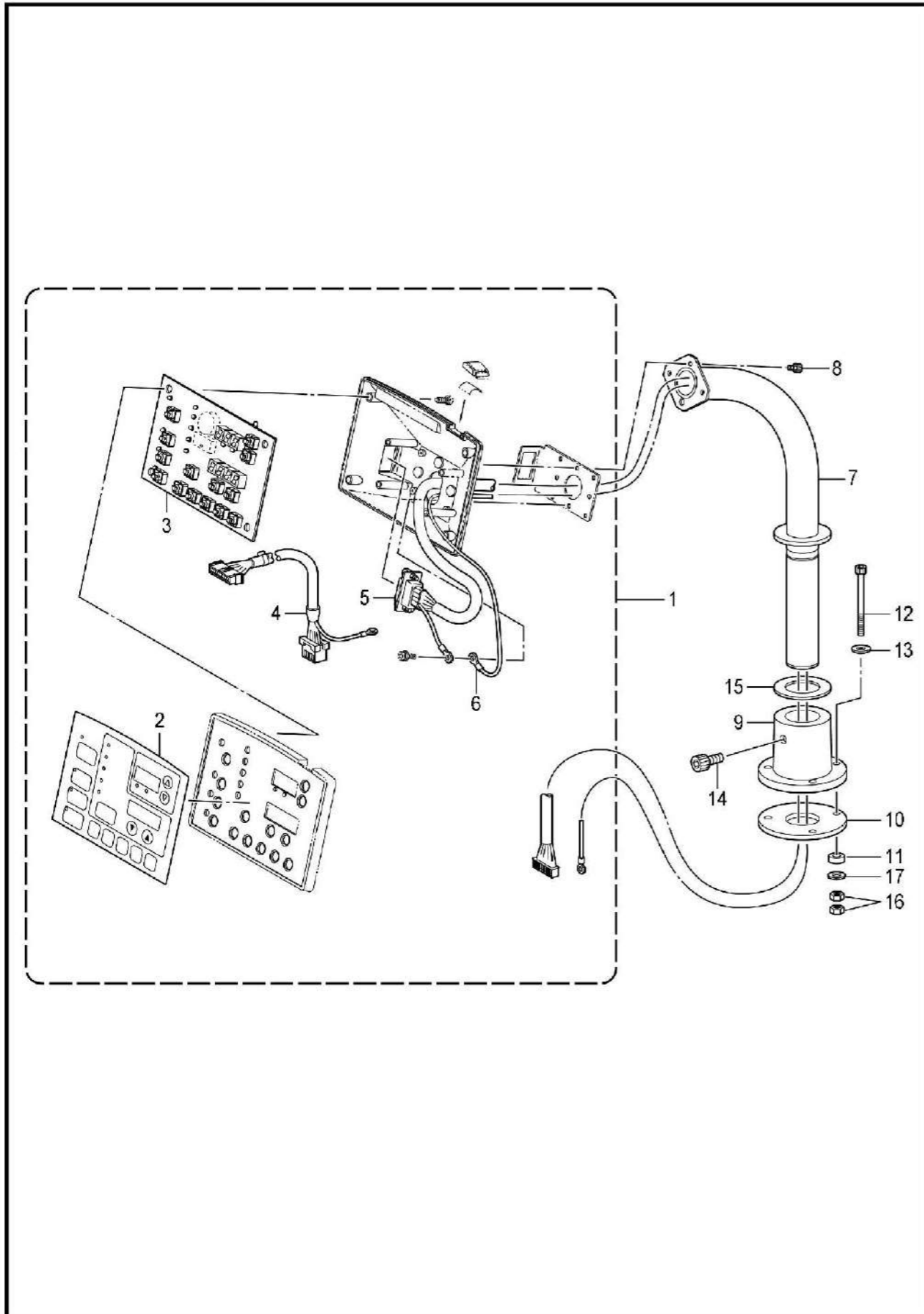
Q. 电气部品装置 / Power supply equipment mechanism



Q. 电气部品装置 / Power supply equipment mechanism

| 参照号 | 零部件序号      | 数量 | 零部件名称           | NAME OF PARTS                 | RM |
|-----|------------|----|-----------------|-------------------------------|----|
| 1   | C525567000 | 3  | 电线夹 #8          | CORD HOLDER, #8               |    |
| 2   | C149547000 | 1  | 压线板             | CORD HOLDER, 4N               |    |
| 3   | C149287000 | 3  | 压线板             | CORD HOLDER, 7N               |    |
| 4   | C0A5401006 | 7  | 螺栓(带垫圈) M4X10DB | SCREW PAN (S/P WASHER) M4X10  |    |
| 5   | CSA4830001 | 1  | 传感器组件           | H-POSITION SENSOR ASSY        |    |
| 6   | C062300816 | 3  | 螺钉 M3X8         | SCREW PAN M3X8                |    |
| 7   | CSA3481001 | 1  | 机头开关组件          | SWITCH ASSY, MACHINE HEAD     |    |
| 8   | C0A5301605 | 2  | 螺栓(带垫圈) M3X16DB | SCREW PAN (S/P WASHER) M3X16  |    |
| 9   | C0A5401006 | 2  | 螺栓(带垫圈) M4X10DB | SCREW PAN (S/P WASHER) M4X10  |    |
| 10  | CSA4824001 | 1  | 头部检出复合件         | HEAD DETECTOR UNIT ASSY       |    |
| 11  | CSA5210001 | 1  | 电磁铁接线           | THREAD WIPER SOLENOID HARNESS |    |
| 12  | CSA5214001 | 1  | 开关接线            | STOP SWITCH HARNESS           |    |
| 13  | CSA5261001 | 1  | 接地线 450         | GROUND WIRE 450               |    |
| 14  | C0A5401006 | 1  | 螺栓(带垫圈) M4X10DB | SCREW PAN (S/P WASHER) M4X10  |    |
| 15  | C554482000 | 1  | 电线夹 #12         | CORD HOLDER, #12              |    |
| 16  | CS00470000 | 1  | 电线夹 #16         | CORD HOLDER, 16N              |    |
| 17  | C0A5401006 | 2  | 螺栓(带垫圈) M4X10DB | SCREW PAN (S/P WASHER) M4X10  |    |
| 18  | C218859001 | 2  | 电线夹 M150        | BINDER, M150                  |    |
| 19  | CS04159000 | 1  | 线夹 1M           | BAND, 1M                      |    |
| 20  | CSA6560101 | 2  | 保护用螺旋管 140SS    | SPIRAL, 140SS                 |    |
| 21  | CS04159000 | 2  | 线夹 1M           | BAND, 1M                      |    |

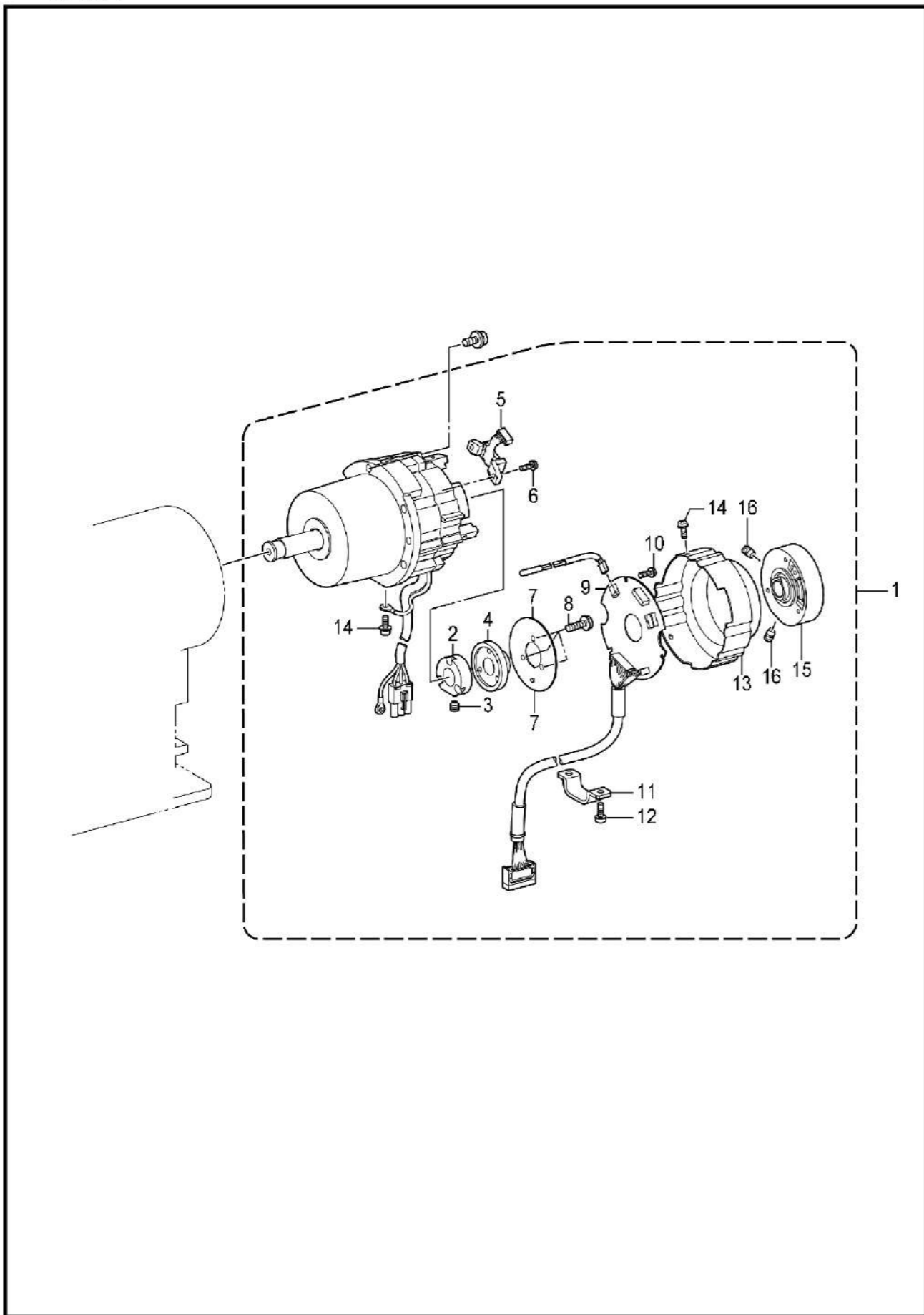
R. 操作盘装置 / Operation panel mechanism



R. 操作盘装置 / Operation panel mechanism

| 参照号 | 零部件序号      | 数量 | 零部件名称    | NAME OF PARTS                 | RM |
|-----|------------|----|----------|-------------------------------|----|
| 1   | CSA4834001 | 1  | 操作盘组件    | OPERATION PANEL ASSY          |    |
| 2   | CSA3831001 | 1  | 操作盘面板    | PANEL SHEET                   |    |
| 3   | CSA3833101 | 1  | 操作盘基板组件  | PANEL PCB ASSY                |    |
| 4   | CSA4563001 | 1  | 操作盘接线    | PANEL HARNESS                 |    |
| 5   | CSA4837001 | 1  | 程序中继电器   | PROGRAMMER CONNECTING HARNESS |    |
| 6   | CSA4841001 | 1  | 接地线      | GROUND WIRE                   |    |
| 7   | CSA4836001 | 1  | 操作盘支柱    | OPERATION PANEL STAND         |    |
| 8   | C018400636 | 3  | 螺栓 M4X6  | BOLT SOCKET M4X6              |    |
| 9   | CS43236009 | 1  | 操作盘基座    | OPERATION PANEL BASE          |    |
| 10  | CS43674000 | 1  | 缓冲垫 A    | CUSHION, A                    |    |
| 11  | CS43675000 | 3  | 缓冲垫 B    | CUSHION, B                    |    |
| 12  | CS25634101 | 3  | 螺栓 M5X65 | BOLT, SOCKET M5X65            |    |
| 13  | C025050236 | 3  | 平垫圈 M5   | WASHER PLAIN M5               |    |
| 14  | C018081636 | 1  | 螺栓 M8X16 | BOLT SOCKET M8X16             |    |
| 15  | CS10408000 | 1  | 橡皮垫片     | RUBBER SHEET                  |    |
| 16  | C021500106 | 6  | 六角螺母 M5  | NUT 1 M5                      |    |
| 17  | C025050336 | 3  | 平垫圈 L5   | WASHER PLAIN L5               |    |

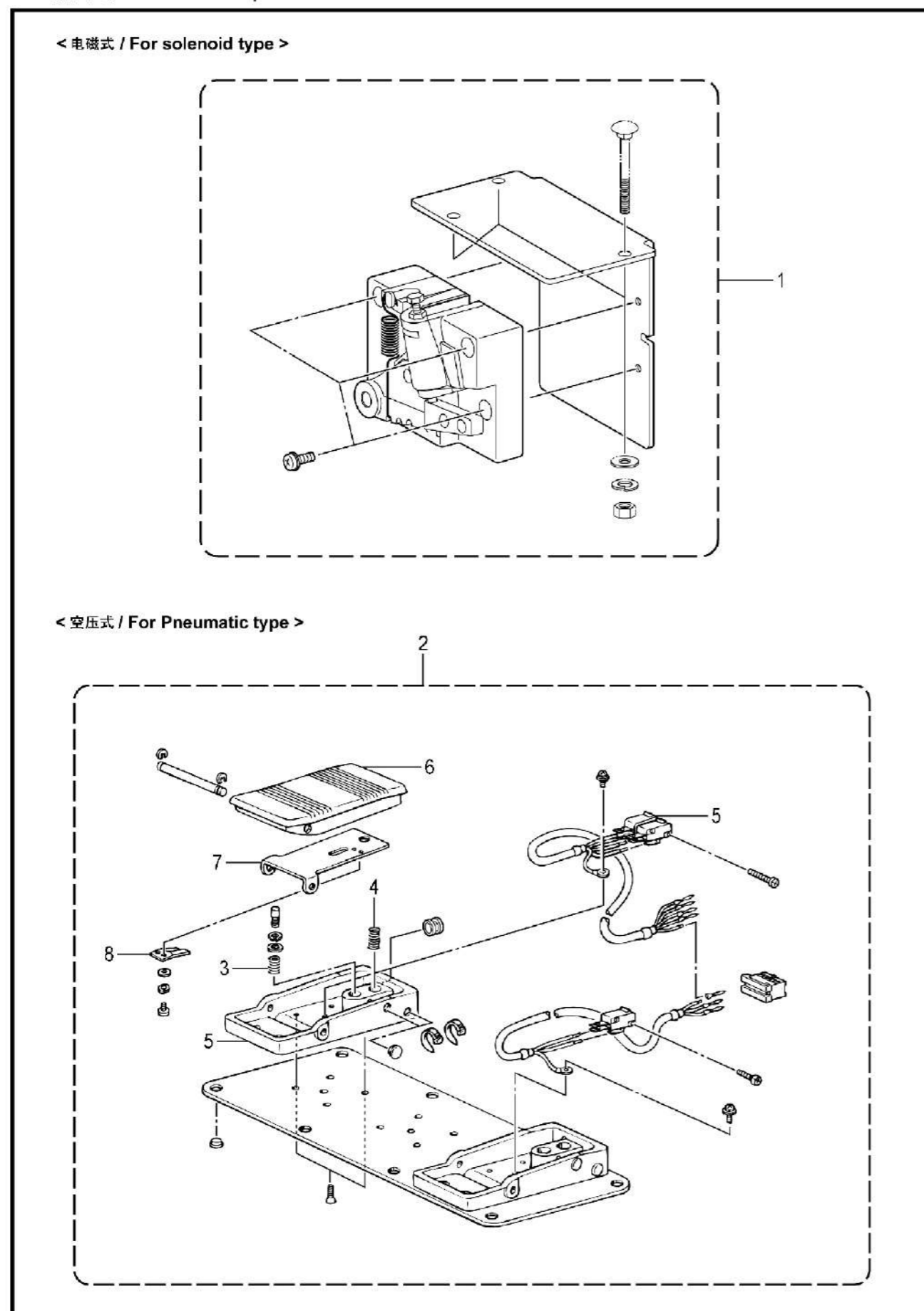
S. 马达装置 / Motor mechanism



S. 马达装置 / Motor mechanism

| 参照号 | 零部件序号      | 数量 | 零部件名称             | NAME OF PARTS                  | RM |
|-----|------------|----|-------------------|--------------------------------|----|
| 1   | CJ80991001 | 1  | 马达组件 CDD-430D     | MOTOR ASSY, CDD-430D           |    |
| 2   | CJ03955001 | 1  | 磁鼓 CDD            | DRUM CDD                       |    |
| 3   | C014400632 | 1  | 螺钉 M4X6           | SET SCREW, SOCKET (CP) M4X6    |    |
| 4   | CJ03956001 | 1  | 磁铁 180P36         | MAGNET 180P36                  |    |
| 5   | CJ03957001 | 1  | MR感应器组件 180P      | MR SENSOR ASSY 180P            |    |
| 6   | C0A4300805 | 1  | 螺栓(带垫圈) M3X8DA    | SCREW, PAN (S/P WASHER) M3X8   |    |
| 7   | CJ03958001 | 1  | 屏蔽板 CDD           | SHIELD PLATE CDD               |    |
| 8   | C0A4261005 | 3  | 螺栓(带垫圈) M2.6X10DA | SCREW, PAN (S/P WASHE) M2.6X10 |    |
| 9   | CJ04488001 | 1  | ENC 基板组件 430D#2   | ENC PCB ASSY, 430D#2           |    |
| 10  | C0A5300606 | 3  | 螺栓(带垫圈) M3X6DB    | SCREW, PAN (S/P WASHER) M3X6   |    |
| 11  | CJ04230001 | 1  | 电线固定夹 CDD-HT      | CORD HOLDER, CDD-HT            |    |
| 12  | C0A4401005 | 3  | 螺栓(带垫圈) M4X10DA   | SCREW, PAN (S/P WASHE) M4X10   |    |
| 13  | CJ04388001 | 1  | 编码器盖 430D         | ENCODER COVER, 430D            |    |
| 14  | C0A4300805 | 3  | 螺栓(带垫圈) M3X8DA    | SCREW, PAN (S/P WASHER) M3X8   |    |
| 15  | CJ04303001 | 1  | 同步轮组件 430D        | PULLEY HOLDER ASSY, 430D       |    |
| 16  | C014500632 | 2  | 螺钉 M5X6           | SET SCREW, SOCKET (CP) M5X6    |    |

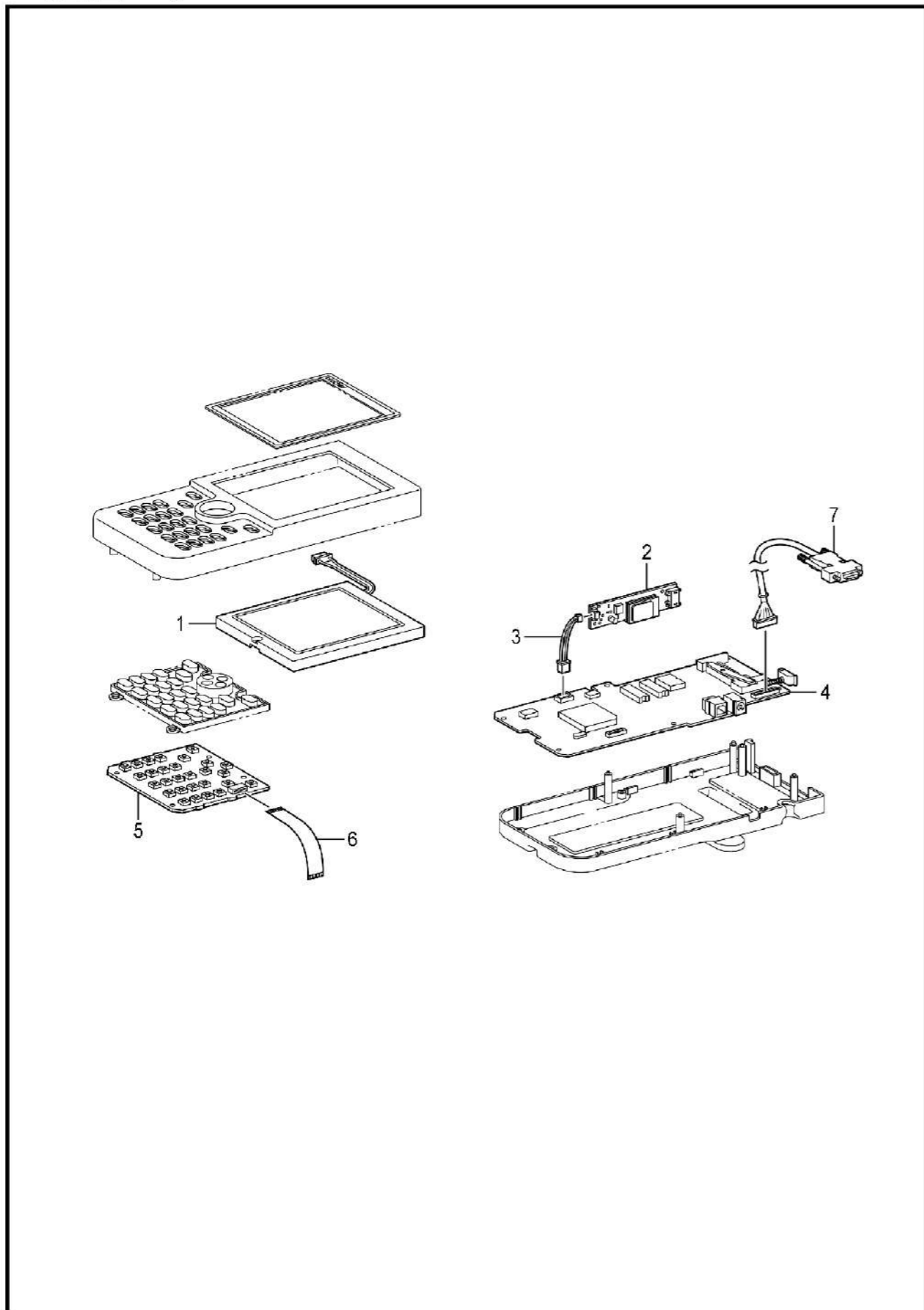
T. 踏板关系 / Foot switch pedal mechanism



T. 踏板关系 / Foot switch pedal mechanism

| 参照号 | 零部件序号      | 数量 | 零部件名称             | NAME OF PARTS  | RM |
|-----|------------|----|-------------------|--|----|
| 1   | CSA3519101 | 1  | <电磁式><br>踏板复合件 A  | <For Solenoid type><br>TREADLE UINT, ASSY            |    |
| 2   | CSA6038001 | 1  | <空压式><br>2连脚踏开关组件 | <For Pneumatic type><br>2-PEDAL FOOT SWITCH, SW ASSY |    |
| 3   | CS38168001 | 1  | 弹簧                | SPRING, COMPRESSION 10X30                            |    |
| 4   | CS38170001 | 2  | 弹簧                | FOOT PEDAL SPRING                                    |    |
| 5   | CS36260000 | 3  | 开关 VX             | PIN BUTTON MICRO SWITCH, VX                          |    |
| 6   | CS38174000 | 2  | 脚踏板               | FOOT PEDAL   |    |
| 7   | CS38175001 | 2  | 脚踏护板              | PROTECTION PLATE, PEDAL                              |    |
| 8   | CS38176101 | 2  | 弹簧板               | SPRING, PLATE  |    |

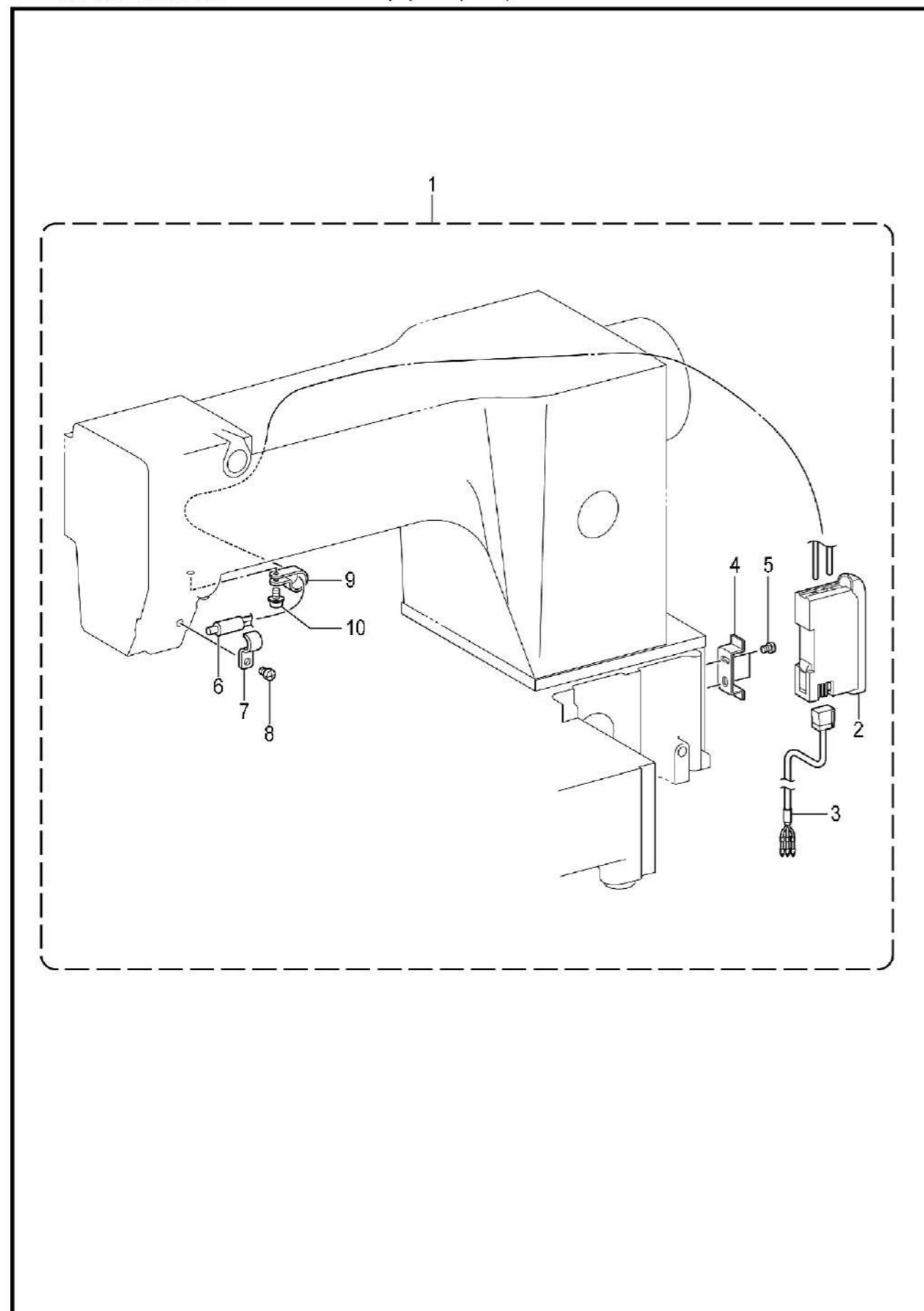
U. 编程装置 / Programmer



U. 编程装置 / Programmer

| 参照号 | 零部件序号      | 数量 | 零部件名称   | NAME OF PARTS       | RM |
|-----|------------|----|---------|---------------------|----|
| 1   | CSA5164001 | 1  | LCD 模数  | LCD MODULE          |    |
| 2   | CSA5165001 | 1  | LCD 变换器 | LCD INVERTER        |    |
| 3   | CSA5166001 | 1  | 变换器接线   | INVERTER HARNESS    |    |
| 4   | CSA5170001 | 1  | 编程器基板组件 | PROGRAMMER PCB ASSY |    |
| 5   | CSA5172001 | 1  | 开关基板组件  | SWITCH PCB ASSY     |    |
| 6   | CSA5168001 | 2  | FFC 接线  | FFC:SML2CD          |    |
| 7   | CSA5167001 | 1  | 编程器接线   | PROGRAMMER HARNESS  |    |

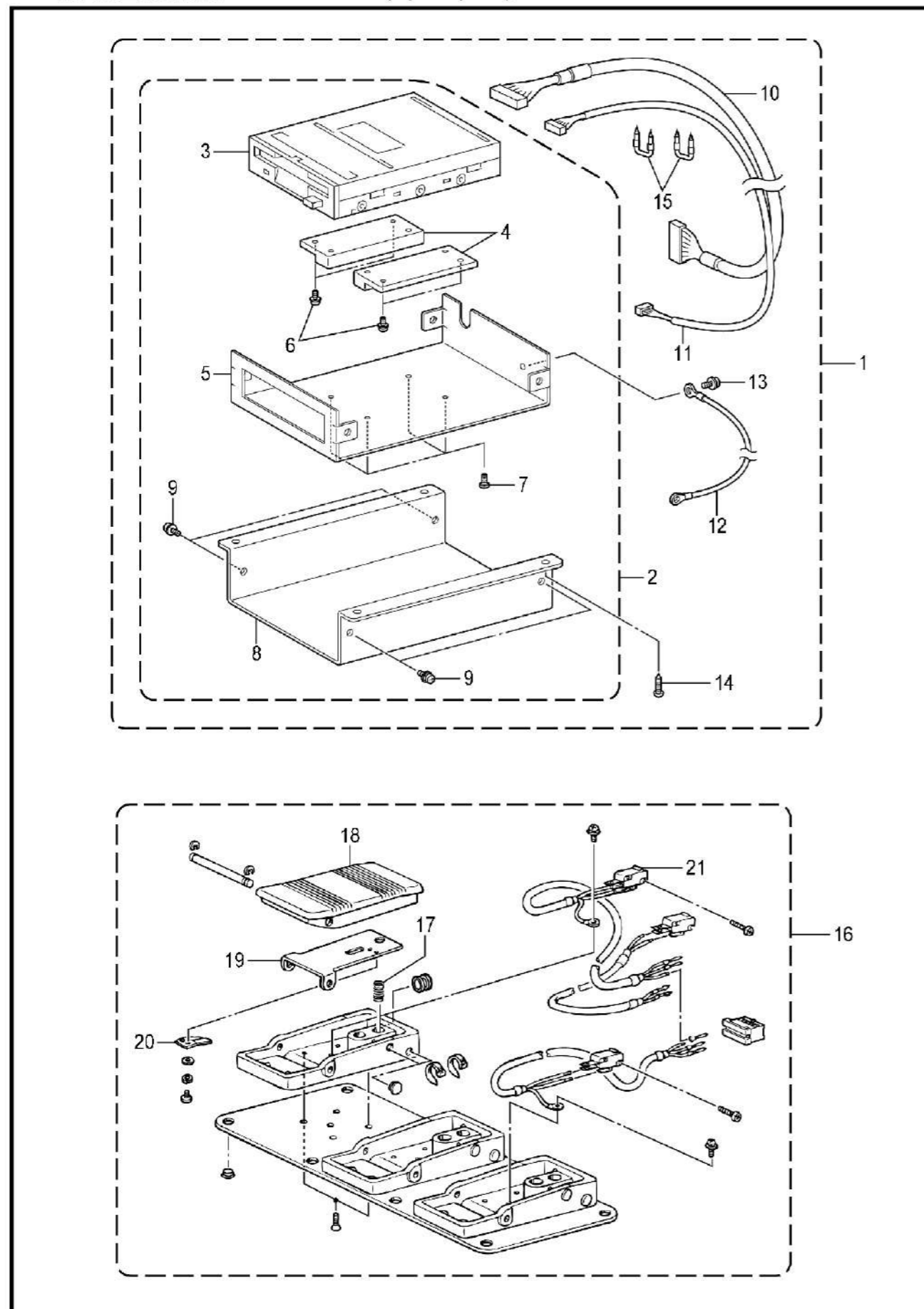
V1 . 附属装置(选购件) / Attachment set (Option parts)



V1. 附属装置(选购件) / Attachment set (Option parts)

| 参照号 | 零部件序号      | 数量 | 零部件名称           | NAME OF PARTS                | RM |
|-----|------------|----|-----------------|------------------------------|----|
|     |            |    | <用于欧洲以外>        | <Except for Europe>          |    |
| 1   | CSA5193001 | 1  | 断线传感装置组件 F      | TR-BREAKAGE DETECTOR SET F   |    |
| 2   | CSA4816001 | 1  | 信号放大器 FX311     | FIBER AMP FX311              |    |
| 3   | CSA4817001 | 1  | 电缆线组件           | AMP CABLE ASSY               |    |
| 4   | CSA4818001 | 1  | 放大器安装支架         | DIN METAL FITTING            |    |
| 5   | C062300616 | 2  | 螺钉 M3X6         | SCREW PAN M3X6               |    |
| 6   | CSA4819001 | 1  | 光导纤维传感器 FDFM2   | FIBER FDFM2                  |    |
| 7   | CSA5194001 | 1  | 传感器安装板          | SENSOR SETTING PLATE         |    |
| 8   | C062500616 | 1  | 螺钉 M5X6         | SCREW PAN M5X6               |    |
| 9   | C625010000 | 1  | 尼龙夹 NK-2N       | NYLON CLAMP NK-2N            |    |
| 10  | C0A5401006 | 1  | 螺栓(带垫圈) M4X10DB | SCREW PAN (S/P WASHER) M4X10 |    |
|     |            |    | <用于欧洲>          | <For Europe only>            |    |
| 1   | CSA51930E1 | 1  | 断线传感装置组件 F      | TR-BREAKAGE DETECTOR SET F   |    |
| 2   | CSA48160E1 | 1  | 信号放大器 FX311     | FIBER AMP FX311              |    |
| 3   | CSA4817001 | 1  | 电缆线组件           | AMP CABLE ASSY               |    |
| 4   | CSA4818001 | 1  | 放大器安装支架         | DIN METAL FITTING            |    |
| 5   | C062300616 | 2  | 螺钉 M3X6         | SCREW PAN M3X6               |    |
| 6   | CSA4819001 | 1  | 光导纤维传感器 FDFM2   | FIBER FDFM2                  |    |
| 7   | CSA5194001 | 1  | 传感器安装板          | SENSOR SETTING PLATE         |    |
| 8   | C062500616 | 1  | 螺钉 M5X6         | SCREW PAN M5X6               |    |
| 9   | C625010000 | 1  | 尼龙夹 NK-2N       | NYLON CLAMP NK-2N            |    |
| 10  | C0A5401006 | 1  | 螺栓(带垫圈) M4X10DB | SCREW PAN (S/P WASHER) M4X10 |    |

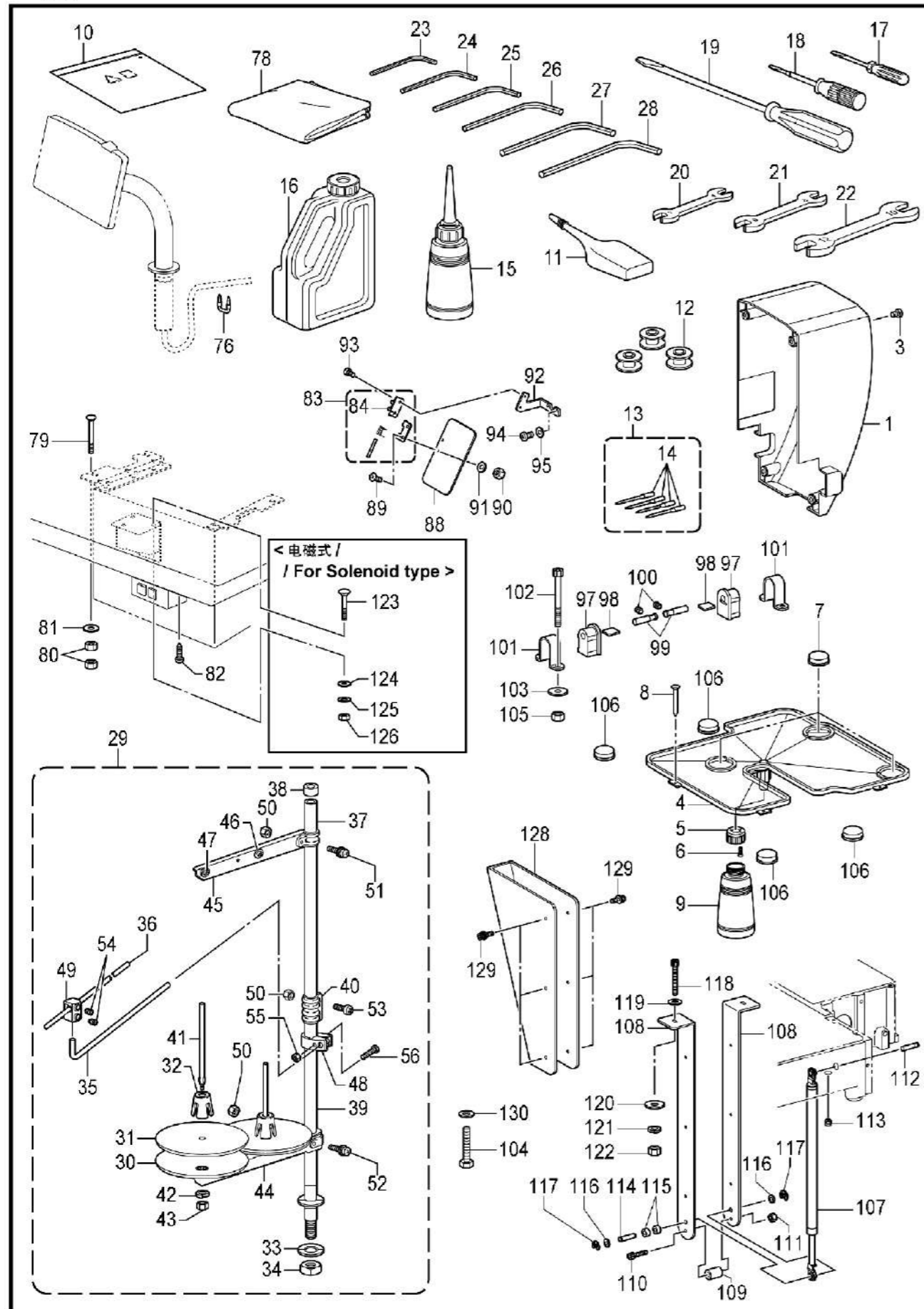
V2. 附属装置(选购件) / Attachment set (Option parts)



V2. 附属装置(选购件) / Attachment set (Option parts)

| 参照号 | 零部件序号      | 数量 | 零部件名称          | NAME OF PARTS               | RM |
|-----|------------|----|----------------|-----------------------------|----|
|     |            |    | <用于欧洲以外>       | <Except for Europe>         |    |
| 1   | CSA5201001 | 1  | FDD大组件         | FDD SET                     |    |
| 2   | CSA5202001 | 1  | FDD复合件         | FDD UNIT ASSY               |    |
| 3   | CSA6628001 | 1  | FDD            | FDD                         |    |
| 4   | CS43225000 | 2  | FDD隔离板         | SPACER, FDD                 |    |
| 5   | CSA5203001 | 1  | FDD机座板         | FDD BASE PLATE              |    |
| 6   | C0A4300605 | 4  | 螺栓(带垫圈) M3X6DA | SCREW PAN (S/P WASHER) M3X6 |    |
| 7   | C037300816 | 4  | 螺销 M3X8        | TAPPING SCREW PAN V M3X8    |    |
| 8   | CSA5204001 | 1  | FDD盖           | FDD COVER                   |    |
| 9   | C0A4300805 | 4  | 螺栓(带垫圈) M3X8DA | SCREW PAN (S/P WASHER) M3X8 |    |
| 10  | CSA5205001 | 1  | FDD接线          | FDD HARNESS                 |    |
| 11  | CSA5206001 | 1  | FDD电源线         | FDD POWER HARNESS           |    |
| 12  | CSA5134001 | 1  | 接地线            | GROUND WIRE                 |    |
| 13  | C0A4300805 | 1  | 螺栓(带垫圈) M3X8DA | SCREW PAN (S/P WASHER) M3X8 |    |
| 14  | C032421302 | 4  | 木螺钉 M4.1X13    | WOOD SCREW ROUND 2 M4.1X13  |    |
| 15  | C200190001 | 2  | U形卡钉           | STAPLE 10X20                |    |
|     |            |    | <用于欧洲>         | <For Europe only>           |    |
| 1   | CSA52010E1 | 1  | FDD大组件         | FDD SET                     |    |
| 2   | CSA52020E1 | 1  | FDD复合件         | FDD UNIT ASSY               |    |
| 3   | CSA6628001 | 1  | FDD            | FDD                         |    |
| 4   | CS43225000 | 2  | FDD隔离板         | SPACER, FDD                 |    |
| 5   | CSA5203001 | 1  | FDD机座板         | FDD BASE PLATE              |    |
| 6   | C0A4300605 | 4  | 螺栓(带垫圈) M3X6DA | SCREW PAN (S/P WASHER) M3X6 |    |
| 7   | C037300816 | 4  | 螺销 M3X8        | TAPPING SCREW PAN V M3X8    |    |
| 8   | CSA5204001 | 1  | FDD盖           | FDD COVER                   |    |
| 9   | C0A4300805 | 4  | 螺栓(带垫圈) M3X8DA | SCREW PAN (S/P WASHER) M3X8 |    |
| 10  | CSA5205001 | 1  | FDD接线          | FDD HARNESS                 |    |
| 11  | CSA5206001 | 1  | FDD电源线         | FDD POWER HARNESS           |    |
| 12  | CSA5134001 | 1  | 接地线            | GROUND WIRE                 |    |
| 13  | C0A4300805 | 1  | 螺栓(带垫圈) M3X8DA | SCREW PAN (S/P WASHER) M3X8 |    |
| 14  | C032421302 | 4  | 木螺钉 M4.1X13    | WOOD SCREW ROUND 2 M4.1X13  |    |
| 15  | C200190001 | 2  | U形卡钉           | STAPLE 10X20                |    |
|     |            |    | <用于欧洲以外>       | <Except for Europe>         |    |
| 16  | CSA6495001 | 1  | 3连脚踏开关组件       | 3-PEDAL FOOT SW ASSY        |    |
| 17  | CS38170001 | 3  | 弹簧             | FOOT PEDAL SPRING           |    |
| 18  | CS38174000 | 3  | 脚踏板            | FOOT PEDAL                  |    |
| 19  | CS38175101 | 3  | 脚踏护板           | PROTECTION PLATE PEDAL      |    |
| 20  | CS38176101 | 3  | 弹簧板            | SPRING, PLATE               |    |
| 21  | CS36260000 | 1  | 开关 VX          | PIN BUTTON MICRO SWITCH, VX |    |
|     |            |    | <用于欧洲>         | <For Europe only>           |    |
| 16  | CSA64950E1 | 1  | 3连脚踏开关组件       | 3-PEDAL FOOT SW ASSY        |    |
| 17  | CS38170001 | 3  | 弹簧             | FOOT PEDAL SPRING           |    |
| 18  | CS38174000 | 3  | 脚踏板            | FOOT PEDAL                  |    |
| 19  | CS38175101 | 3  | 脚踏护板           | PROTECTION PLATE PEDAL      |    |
| 20  | CS38176101 | 3  | 弹簧板            | SPRING, PLATE               |    |
| 21  | CS36260000 | 1  | 开关 VX          | PIN BUTTON MICRO SWITCH, VX |    |

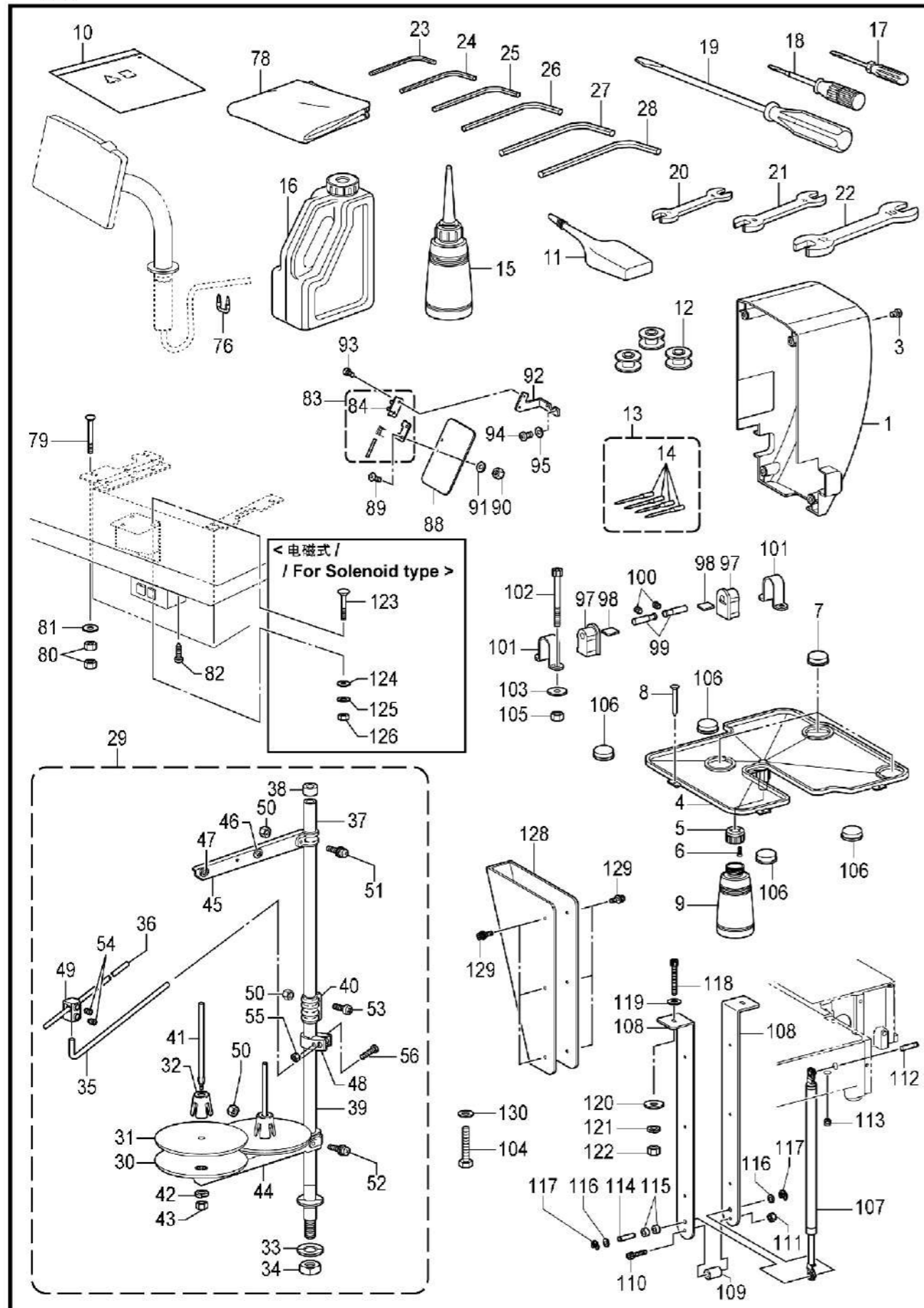
Z. 附件 / Accessories



Z. 附件 / Accessories

| 参照号 | 零部件序号      | 数量 | 零部件名称      | NAME OF PARTS                 | RM |
|-----|------------|----|------------|-------------------------------|----|
| 1   | CSA4842001 | 1  | 马达盖        | MOTOR COVER                   |    |
| 3   | C062061016 | 4  | 螺钉 M6X10   | SCREW PAN M6X10               |    |
| 4   | CSA4844001 | 1  | 油盘         | OIL PAN                       |    |
| 5   | C154467001 | 1  | 废油回收壶盖     | DUST OILER                    |    |
| 6   | C037301215 | 2  | 螺钉 M3X12   | TAPPING SCREW PAN V M3X12     |    |
| 7   | CSA3540001 | 3  | 缓冲橡皮垫      | RUBBER CUSHION                |    |
| 8   | C109714000 | 7  | 钉          | NAIL                          |    |
| 9   | C114486002 | 1  | 油壶         | OILER                         |    |
| 10  | C122991001 | 1  | 附属品塑料袋     | ACCESSORY BAG                 |    |
| 11  | CS06706001 | 1  | 硅油         | SILICONE OIL                  |    |
| 12  | CS44633001 | 3  | 梭芯 LAN     | BOBBIN, LAN                   |    |
| 13  | C* P. 67   | 1  | 机针组件(4支装)  | NEEDLE 4PIECE ASSY            |    |
| 14  | C* P. 67   | 4  | 机针         | NEEDLE                        |    |
| 15  | C114483002 | 1  | 油壶组件       | OILER ASSY                    |    |
| 16  | CS55663001 | 1  | 油罐组件       | OIL TANK ASSY                 |    |
| 17  | C142443001 | 1  | 小起子 1.9X52 | SCREW-DRIVER, 1.9X52          |    |
| 18  | C118837001 | 1  | 起子 3.4X70  | SCREW-DRIVER, 3.4X70          |    |
| 19  | C101572102 | 1  | 起子 5.5X190 | SCREW-DRIVER, 5.5X190         |    |
| 20  | C107779001 | 1  | 扳手 6X7     | WRENCH, 6X7                   |    |
| 21  | C100887001 | 1  | 双头扳手 8X9   | WRENCH, 8X9                   |    |
| 22  | C107780001 | 1  | 扳手 10X12   | WRENCH, 10X12                 |    |
| 23  | CS07783001 | 1  | 内六角扳手 1.5  | HEXAGONAL WRENCH, 1.5         |    |
| 24  | C142002001 | 1  | 内六角扳手 2    | HEXAGONAL WRENCH, 2           |    |
| 25  | C154125001 | 1  | 内六角扳手 2.5  | HEXAGONAL WRENCH, 2.5         |    |
| 26  | C142721001 | 1  | 内六角扳手 3    | HEXAGONAL WRENCH, 3           |    |
| 27  | C118064001 | 1  | 内六角扳手 4    | HEXAGONAL WRENCH, 4           |    |
| 28  | C150335001 | 1  | 内六角扳手 5    | HEXAGONAL WRENCH, 5           |    |
| 29  | CS40574209 | 1  | 线架组件 2DTHF | COTTON STAND ASSY, 2DTHF      |    |
| 30  | CS51283001 | 2  | 垫圈         | SPOOL STAND BASE              |    |
| 31  | C150182000 | 2  | 线盘软垫       | SPOOL MAT                     |    |
| 32  | CS51282101 | 2  | 线轴缓冲架      | SPOOL CUSHION                 |    |
| 33  | C150206002 | 1  | 平垫圈 16     | WASHER, PLAIN 16              |    |
| 34  | CS38648001 | 1  | 螺母 U5/8-28 | NUT, U5/8-28                  |    |
| 35  | CS04109001 | 1  | 过线杆支杆      | THREAD GUIDE SUPPORT BAR      |    |
| 36  | C142997001 | 1  | 过线杆 3      | THREAD GUIDE, 3               |    |
| 37  | C150172003 | 1  | 线架支撑管      | COLUMN PIPE                   |    |
| 38  | C150174000 | 1  | 线架支撑管套     | COLUMN CAP                    |    |
| 39  | C156112003 | 1  | 线架撑管 D     | COLUMN PIPE, D                |    |
| 40  | C150173003 | 1  | 撑管夹        | COLUMN JOINT                  |    |
| 41  | C150179002 | 2  | 线轴 B       | SPOOL SHAFT, B                |    |
| 42  | C028050246 | 2  | 弹簧垫圈 2-5   | WASHER SPRING 2-5             |    |
| 43  | C021500106 | 2  | 六角螺母 M5    | NUT 1 M5                      |    |
| 44  | CS02778002 | 1  | 插线架 2      | SPOOL HOLDER, 2               |    |
| 45  | CS02787002 | 1  | 过线架 2      | THREAD HANGER, 2              |    |
| 46  | C150183000 | 2  | 过线管套       | THREAD HANGER BASE            |    |
| 47  | C142990001 | 2  | 过线架上过线管    | THREAD BUSH                   |    |
| 48  | C150185009 | 1  | 过线杆夹头      | THREAD GUIDE HOLDER           |    |
| 49  | C138843001 | 1  | 连接器        | JOINT                         |    |
| 50  | C021500106 | 4  | 六角螺母 M5    | NUT 1 M5                      |    |
| 51  | CS37038001 | 1  | 螺钉 M5X14   | SCREW, PAN(S/P WASHER) M5X14  |    |
| 52  | CS37037001 | 1  | 螺钉 M5X32   | SCREW, PAN (S/P WASHER) M5X32 |    |
| 53  | C062501406 | 2  | 螺钉 M5X14   | SCREW PAN M5X14               |    |
| 54  | C014060632 | 2  | 固定螺钉 M6X6  | SET SCREW SOCKET (CP) M6X6    |    |
| 55  | C021500106 | 1  | 六角螺母 M5    | NUT 1 M5                      |    |
| 56  | CS37037001 | 1  | 螺钉 M5X32   | SCREW, PAN (S/P WASHER) M5X32 |    |

Z. 附件 / Accessories







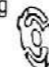





Z. 附件 / Accessories

| 参照号 | 零部件序号      | 数量 | 零部件名称         | NAME OF PARTS                      | RM |
|-----|------------|----|---------------|------------------------------------|----|
| 76  | C200190001 | 7  | U形卡钉          | STAPLE,10X20                       |    |
| 78  | C144226001 | 1  | 机头罩           | HEAD COVER                         |    |
| 79  | CS36007001 | 4  | 螺栓 M8X55      | BOLT, M8X55                        |    |
| 80  | C021080106 | 8  | 六角螺母 M8       | NUT 1 M8                           |    |
| 81  | C025080336 | 4  | 平垫圈 L8        | WASHER PLAIN L 8                   |    |
| 82  | C032461606 | 2  | 木螺钉 M4.5X16   | WOOD SCREW ROUND 2 M4.5X16         |    |
| 83  | CS44483001 | 1  | 铰链组件          | HINGE ASSY                         |    |
| 84  | CS44484001 | 1  | 护眼板铰链         | EYE GUARD HINGE                    |    |
| 88  | CS44485001 | 1  | 护眼板           | EYE GUARD                          |    |
| 89  | C061300816 | 2  | 螺钉 M3X8       | SCREW FLAT M3X8                    |    |
| 90  | C021300106 | 2  | 螺母 M3         | NUT 1 M3                           |    |
| 91  | C026030236 | 2  | 垫圈 M3         | WASHER PLAIN M 3                   |    |
| 92  | CSA4104001 | 1  | 护眼板架 A        | EYE GUARD HOLDER, A                |    |
| 93  | C062300506 | 2  | 螺钉 M3X5       | SCREW PAN M3X5                     |    |
| 94  | C062400616 | 2  | 螺钉 M4X6       | SCREW PAN M4X6                     |    |
| 95  | C026040136 | 2  | 平垫圈 S4        | WASHER PLAIN S 4                   |    |
| 97  | CSA3395001 | 2  | 橡皮铰链          | RUBBER CUSHION                     |    |
| 98  | CSA3392001 | 2  | 垫片            | SPACER                             |    |
| 99  | CSA3384001 | 2  | 机头支承销         | PIN                                |    |
| 100 | C012060636 | 2  | 螺钉 M6X6       | SET SCREW SOCKET (FT) M6X6         |    |
| 101 | CSA3385001 | 2  | 头部铰链座         | HINGE HOLDER                       |    |
| 102 | C018065036 | 4  | 螺栓 M6X50      | BOLT SOCKET M6X50                  |    |
| 103 | C213650001 | 4  | 垫圈 2.3X8.5X38 | WASHER, 2.3X8.5X38ST               |    |
| 104 | C017066002 | 1  | 螺栓 M6X60      | BOLT M6X60                         |    |
| 105 | C021060106 | 4  | 螺母 M6         | NUT 1 M6                           |    |
| 106 | CSA3540001 | 4  | 缓冲橡皮垫         | RUBBER CUSHION                     |    |
| 107 | CSA4845001 | 1  | 缓冲器           | SHOCK ABSORBER GAS                 |    |
| 108 | CSA4846001 | 2  | 缓冲器支架         | HOLDER ABSORBER                    |    |
| 109 | CSA5251001 | 1  | 垫圈            | SPACER                             |    |
| 110 | C018064031 | 1  | 螺栓 M6X40      | BOLT SOCKET M6X40                  |    |
| 111 | C021060106 | 1  | 螺母 M6         | NUT 1 M6                           |    |
| 112 | CSA4847001 | 1  | 轴 U           | SHAFT U                            |    |
| 113 | C012060636 | 1  | 螺钉 M6X6       | SET SCREW SOCKET (FT) M6X6         |    |
| 114 | CS17974001 | 1  | 轴 D           | SHAFT, D                           |    |
| 115 | CS17975100 | 2  | 轴套 GS         | SHAFT COLLAR, GAS                  |    |
| 116 | C025080132 | 2  | 垫圈 S8         | WASHER PLAIN S 8                   |    |
| 117 | C048080342 | 2  | 挡圈 E6         | RETAINING RING E6                  |    |
| 118 | CSA3387001 | 2  | 螺栓 M6X75      | BOLT SOCKET M6X75                  |    |
| 119 | C025060236 | 2  | 平垫圈 M6        | WASHER PLAIN M 6                   |    |
| 120 | C213650001 | 2  | 垫圈 2.3X8.5X38 | WASHER, 2.3X8.5X38ST               |    |
| 121 | C028060246 | 2  | 弹簧垫圈 2-6      | WASHER SPRING 2-6                  |    |
| 122 | C021060106 | 2  | 螺母 M6         | NUT 1 M6                           |    |
| 123 | C119755001 | 3  | 螺栓 M6X60      | <For Solenoid type><br>BOLT, M6X60 |    |
| 124 | C025060236 | 3  | 平垫圈 M6        | WASHER PLAIN M 6                   |    |
| 125 | C028060246 | 3  | 弹簧垫圈 2-6      | WASHER SPRING 2-6                  |    |
| 126 | C021060106 | 3  | 螺母 M6         | NUT 1 M6                           |    |
| 128 | CSA6261001 | 1  | 支架盖           | HOLDER ABSORBER COVER              |    |
| 129 | CS55479001 | 6  | 螺栓(带垫圈) M4X8  | BOLT SOCKET (S/P WASHER) M4X8      |    |
| 130 | C025060236 | 1  | 平垫圈 M6        | WASHER PLAIN M6                    |    |





Wa. 警告标签 / Warning labels

| 警告标签 / Warning labels   | 零部件名称 / Name of parts                   | 尺寸 / Size(mm) | 零部件序号 / Code |
|---|---|---------------|--------------|
|    | 感电标签(6国)<br>Label, elec. shock 6 lang   | 50 X 118      | CJ04115-001  |
|    | 操作注意标签(日/英)<br>Label, caution Jpn / Eng | 52 X 84       | CSA0792-001  |
|    | 操作注意标签(中/英)<br>Label, caution Chn / Eng | 52 X 84       | CSA0793-001  |
|  | 警告标记<br>Mark, injury                    | L=25<br>R=1.2 | CS36924-002  |
|  | 接地标记<br>Label, grounding                | φ 12          | CS37060-001  |
|  | PE标记<br>Label, PE                       | 7.5 X 12.5    | CS37059-001  |

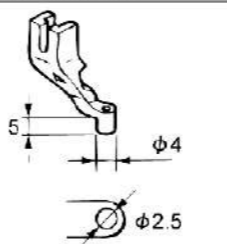
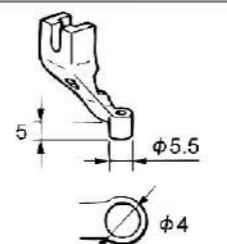
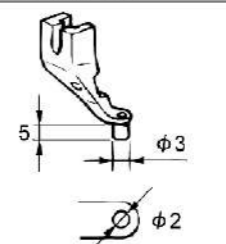
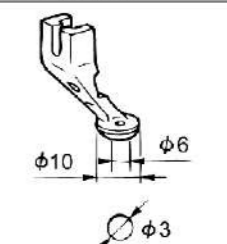
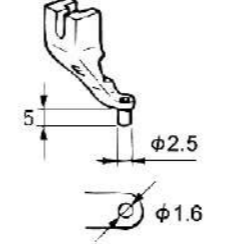
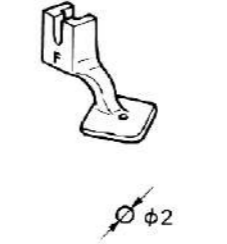
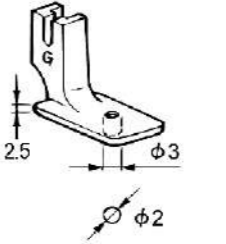
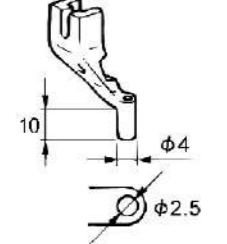
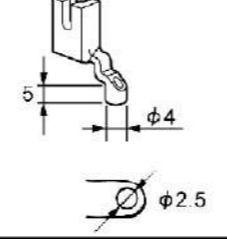
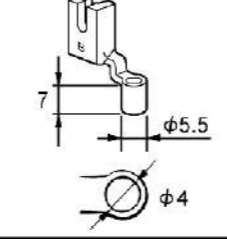
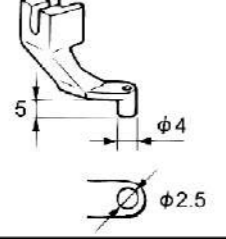
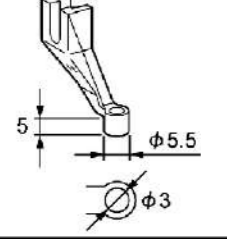
Sp. 不同规格零部件一览表 / Different parts list

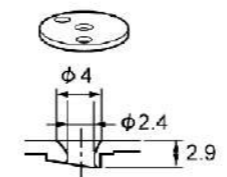
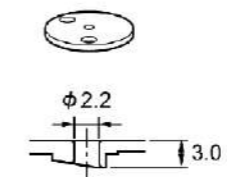
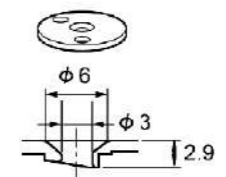
| 名称<br>Part name   | 规格<br>Spec. | 厚布料<br>Heavy-weight<br>materials | 中厚布料<br>Medium-weight<br>materials |
|---|-------------|----------------------------------|------------------------------------|
| (J-66)<br>针孔板<br>Needle hole plate<br>               |             | ★<br>(φ2.4)<br>CSA3336-101       | (φ2.2)<br>CSA5221-001              |
| (E-35)<br>梭芯套组件<br>Bobbin case assy<br>              |             |                                  | CS59221-201 < LC > ★ ☆             |
| (E-36)<br>夹线簧<br>Tension spring<br>                  |             |                                  | CS48664-001 ★ ☆                    |
| (E-37)<br>螺钉<br>Screw<br>                            |             |                                  | CS16492-101 ★ ☆                    |
| (E-38)<br>防空转弹簧<br>Anti-spin spring<br>              |             |                                  | CS15667-001 ★ ☆                    |
| (E-39)<br>梭芯<br>Bobbin<br>                         |             |                                  | CS44633-001 < LAN >                |
| (E-42)<br>中旋梭组件<br>Shuttle hook<br>assy, w/box<br> |             | ★ ☆<br>CSA1890-201 < LG >        | ★ ☆<br>CSA2173-201 < LF >          |
| (E-34)<br>外旋梭<br>Shuttle<br>race base<br>          |             | ★ ☆<br>C152686-201 < B >         | ★ ☆<br>C152682-201 < A >           |
| (G-30)<br>挑线弹簧<br>Spring, tension<br>              |             | ★ ☆<br>C107606-101               | ★ ☆<br>C104525-101                 |
| (G-9)<br>调节弹簧<br>Thread take-up<br>spring<br>      |             | ★ ☆<br>C144588-201               | ★ ☆<br>C145519-201                 |

Sp . 不同规格零部件一览表 / Different parts list

| 名称<br>Part name                            | 规格<br>Spec.   | 厚布料<br>Heavy-weight<br>materials | 中厚布料<br>Medium-weight<br>materials |
|--|---|----------------------------------|------------------------------------|
| (G-28)<br>弹簧<br>Spring, tension            |  | CSA4146-101                      |                                    |
| (G-20)<br>针杆线导向<br>Needle bar thread guide |  | CSA3257-101 < A >                |                                    |
| (Z-13)<br>机针组件(4支装)<br>Needle assy         |   | CSA1645-019                      | CSA1752-016                        |
| (B-32, Z-14)<br>机针<br>Needle               |  | DP×17 < #19 ><br>C145646-019     | DP×5 < #16 ><br>C107415-016        |
| (D-57)<br>压脚<br>Presser foot               |  | CSA4811-001 < H >                | CS42843-001 < A >                  |

Ga . 工模具一览表 / Gauge parts list

| 压脚 / Presser foot  |  |  |  |
|--|--|--|--|
| A / CS42843-001 *  | B / CS42844-001  | C / CS42845-001  | D / CS42846-001  |
|   |   |   |   |
| E / CS42847-001  | F / C157237-001  | G / C158592-001  | J / CS42848-001  |
|   |   |   |   |
| CA-UT / CS40214-001  | B-L / CS49448-001  | XA / CS42849-101   | H / CSA4811-001 *  |
|  |  |  |  |

| 针孔板 / Needle hole plate   |   |   |
|---|---|---|
| 2.4 C0.4 / CSA3336-001 *  | 2.2 / CSA5221-001 *   | 3.0 C1.5 / CSA5222-001 *  |
|  |  |  |

印有\*记号的为标准零部件  
The \* symbol is for Standard parts.

## 索引 / INDEX

| CODE       | REF.NO  | Page | CODE       | REF.NO  | Page | CODE       | REF.NO  | Page | CODE       | REF.NO  | Page |
|------------|---------|------|------------|---------|------|------------|---------|------|------------|---------|------|
| C004300513 | A - 16  | 2    | C012501031 | C4 - 34 | 14   | C021060306 | J - 32  | 32   | C048040342 | L - 12  | 38   |
| C012060536 | B - 52  | 4    | C014060632 | Z - 54  | 62   |            | J - 41  | 32   | C048050142 | C4 - 6  | 14   |
|            | C2 - 54 | 8    | C014400632 | S - 3   | 52   | C021080106 | Z - 80  | 64   | C048050342 | H - 10  | 30   |
|            | C2 - 59 | 8    | C014500632 | S - 16  | 52   | C021300103 | A - 19  | 2    |            | H - 19  | 30   |
|            | C3 - 14 | 12   | C016061031 | D2 - 32 | 18   | C021300106 | Z - 90  | 64   | C048060142 | C4 - 9  | 14   |
|            | C3 - 32 | 12   |            | D2 - 36 | 18   | C021400216 | C2 - 37 | 8    | C048060342 | Z - 117 | 64   |
|            | C4 - 19 | 14   |            | D3 - 15 | 20   | C021400306 | L - 6   | 38   | C048070342 | E - 31  | 22   |
|            | D1 - 55 | 16   | C017061216 | D1 - 12 | 16   | C021500106 | R - 16  | 50   | C048080142 | C3 - 11 | 12   |
|            | E - 6   | 22   | C017065002 | D1 - 45 | 16   |            | Z - 43  | 62   |            | C3 - 29 | 12   |
| C012060836 | B - 24  | 4    | C017066002 | Z - 104 | 64   |            | Z - 50  | 62   |            | C4 - 16 | 14   |
|            | B - 48  | 4    | C017400802 | J - 5   | 32   |            | Z - 55  | 62   |            | D1 - 29 | 16   |
|            | C1 - 19 | 6    |            | L - 2   | 38   | C021500216 | C3 - 23 | 12   |            | J - 44  | 32   |
|            | C1 - 29 | 6    | C017401415 | L - 5   | 38   |            | C3 - 47 | 12   | C048080342 | C2 - 8  | 8    |
|            | C2 - 3  | 8    | C017501616 | C3 - 51 | 12   |            | C4 - 30 | 14   |            | D2 - 12 | 18   |
|            | C2 - 6  | 8    |            | C4 - 40 | 14   |            | C4 - 35 | 14   | C048100142 | C1 - 17 | 6    |
|            | C2 - 10 | 8    | C018061236 | D2 - 59 | 18   | C025030236 | J - 65  | 34   |            | C3 - 3  | 12   |
|            | C2 - 16 | 8    |            | D3 - 29 | 20   |            | J - 72  | 34   |            | D2 - 28 | 18   |
|            | C3 - 10 | 12   | C018062036 | C2 - 1  | 8    | C025040236 | C1 - 36 | 6    |            | D3 - 11 | 20   |
|            | C3 - 19 | 12   | C018064031 | Z - 110 | 64   |            | D2 - 30 | 18   | C048420242 | C1 - 21 | 6    |
|            | C3 - 28 | 12   | C018065036 | Z - 102 | 64   |            | D3 - 13 | 20   | C060400516 | K - 21  | 36   |
|            | C4 - 3  | 14   | C018081636 | R - 14  | 50   |            | J - 7   | 32   | C061300616 | C1 - 6  | 6    |
|            | C4 - 15 | 14   | C018300636 | C1 - 5  | 6    |            | K - 10  | 36   |            | C1 - 8  | 6    |
|            | D1 - 14 | 16   | C018301436 | C1 - 3  | 6    |            | L - 4   | 38   |            | C1 - 34 | 6    |
|            | D1 - 24 | 16   | C018400636 | D2 - 39 | 18   | C025050236 | C1 - 24 | 6    | C061300816 | Z - 89  | 64   |
|            | D1 - 30 | 16   |            | D3 - 18 | 20   |            | C3 - 35 | 12   | C062060816 | F - 33  | 24   |
|            | D1 - 36 | 16   |            | F - 10  | 24   |            | C3 - 52 | 12   | C062061016 | A - 7   | 2    |
|            | D2 - 10 | 18   |            | R - 8   | 50   |            | C4 - 41 | 14   |            | A - 9   | 2    |
|            | D2 - 13 | 18   | C018400836 | C1 - 10 | 6    |            | L - 13  | 38   |            | A - 13  | 2    |
|            | D2 - 25 | 18   |            | C1 - 13 | 6    |            | R - 13  | 50   |            | F - 3   | 24   |
|            | D2 - 33 | 18   |            | C2 - 21 | 8    | C025050336 | R - 17  | 50   |            | H - 37  | 30   |
|            | D2 - 37 | 18   |            | D1 - 48 | 16   | C025060236 | Z - 119 | 64   |            | Z - 3   | 62   |
|            | D2 - 41 | 18   |            | K - 9   | 36   |            | Z - 124 | 64   | C062300416 | C2 - 48 | 8    |
|            | D2 - 57 | 18   | C018401036 | C2 - 52 | 8    |            | Z - 130 | 64   |            | D1 - 20 | 16   |
|            | D3 - 8  | 20   |            | C2 - 57 | 8    | C025080132 | Z - 116 | 64   |            | J - 64  | 34   |
|            | D3 - 16 | 20   |            | C2 - 68 | 10   | C025080336 | Z - 81  | 64   |            | J - 73  | 34   |
|            | D3 - 20 | 20   |            | D2 - 2  | 18   | C025100132 | C1 - 16 | 6    | C062300506 | A - 38  | 2    |
|            | D3 - 34 | 20   |            | D2 - 23 | 18   | C025350332 | A - 35  | 2    |            | Z - 93  | 64   |
|            | D3 - 35 | 20   |            | D3 - 6  | 20   | C026030136 | E - 21  | 22   | C062300616 | E - 22  | 22   |
|            | E - 9   | 22   | C018401636 | B - 27  | 4    | C026030236 | Z - 91  | 64   |            | K - 7   | 36   |
|            | E - 13  | 22   | C018402036 | C1 - 31 | 6    | C026040136 | Z - 95  | 64   |            | V1 - 5  | 58   |
|            | E - 30  | 22   |            | C1 - 35 | 6    | C028030246 | J - 71  | 34   | C062300816 | Q - 6   | 48   |
|            | G - 23  | 28   |            | C2 - 23 | 8    | C028040246 | C1 - 37 | 6    | C062350616 | H - 8   | 30   |
|            | J - 45  | 32   | C018500836 | C3 - 34 | 12   |            | F - 66  | 26   | C062400416 | C2 - 28 | 8    |
|            | J - 54  | 32   | C018501036 | C2 - 66 | 10   |            | J - 6   | 32   |            | C2 - 49 | 8    |
|            | Z - 100 | 64   |            | D2 - 20 | 18   |            | L - 3   | 38   |            | D2 - 5  | 18   |
|            | Z - 113 | 64   |            | D3 - 3  | 20   | C028050246 | C3 - 36 | 12   | C062400616 | D1 - 6  | 16   |
| C012400436 | D1 - 25 | 16   | C018501232 | E - 33  | 22   |            | C3 - 53 | 12   |            | D2 - 29 | 18   |
|            | D1 - 31 | 16   | C018501236 | J - 48  | 32   |            | C4 - 42 | 14   |            | D2 - 54 | 18   |
|            | H - 17  | 30   | C018501636 | B - 3   | 4    |            | J - 49  | 32   |            | D2 - 56 | 18   |
|            | H - 24  | 30   |            | B - 49  | 4    |            | P - 13  | 46   |            | D3 - 12 | 20   |
|            | J - 9   | 32   |            | C1 - 23 | 6    |            | Z - 42  | 62   |            | D3 - 27 | 20   |
| C012500536 | B - 21  | 4    | C018503036 | P - 14  | 46   | C028060246 | Z - 121 | 64   |            | F - 5   | 24   |
|            | B - 36  | 4    | C021060106 | D1 - 10 | 16   |            | Z - 125 | 64   |            | F - 12  | 24   |
|            | B - 43  | 4    |            | D1 - 46 | 16   | C032421302 | V2 - 14 | 60   |            | F - 35  | 24   |
|            | D2 - 46 | 18   |            | J - 23  | 32   | C032422003 | P - 20  | 46   |            | F - 65  | 26   |
|            | D2 - 51 | 18   |            | J - 34  | 32   | C032461606 | Z - 82  | 64   |            | Z - 94  | 64   |
|            | D3 - 25 | 20   |            | J - 39  | 32   | C037300816 | V2 - 7  | 60   | C062400816 | B - 22  | 4    |
|            | E - 11  | 22   |            | Z - 105 | 64   | C037301215 | Z - 6   | 62   |            | B - 34  | 4    |
|            | E - 41  | 22   |            | Z - 111 | 64   | C047401242 | B - 41  | 4    | C062401006 | A - 24  | 2    |
|            | H - 3   | 30   |            | Z - 122 | 64   | C048030342 | K - 19  | 36   |            | B - 46  | 4    |
|            | H - 36  | 30   |            | Z - 126 | 64   | C048040142 | C3 - 6  | 12   |            | B - 51  | 4    |
| C012501031 | C3 - 46 | 12   | C021060306 | D1 - 41 | 16   | C048040342 | J - 20  | 32   |            | C2 - 27 | 8    |
|            | C4 - 29 | 14   |            | J - 25  | 32   |            | K - 12  | 36   |            | F - 45  | 24   |

## 索引 / INDEX

| CODE       | REF.NO  | Page | CODE       | REF.NO  | Page | CODE        | REF.NO  | Page | CODE       | REF.NO  | Page |
|------------|---------|------|------------|---------|------|-------------|---------|------|------------|---------|------|
| C062401216 | H - 13  | 30   | C117934001 | A - 4   | 2    | C154596000  | J - 30  | 32   | CS10112001 | D1 - 52 | 16   |
| C062500616 | G - 2   | 28   | C118064001 | Z - 27  | 62   | C154599000  | J - 10  | 32   | CS10268001 | H - 27  | 30   |
|            | G - 4   | 28   | C118208001 | D2 - 14 | 18   |             | L - 8   | 38   | CS10408000 | R - 15  | 50   |
|            | G - 6   | 28   | C118550001 | D3 - 32 | 20   | C156112003  | Z - 39  | 62   | CS10438001 | H - 18  | 30   |
|            | H - 30  | 30   | C118735001 | C2 - 63 | 10   | C157237001  | Ga      | 68   | CS10470101 | K - 20  | 36   |
|            | V1 - 8  | 58   | C118837001 | Z - 18  | 62   | C158592001  | Ga      | 68   | CS12441001 | G - 29  | 28   |
| C062501406 | Z - 53  | 62   | C119755001 | Z - 123 | 64   | C159163000  | D3 - 30 | 20   |            | H - 35  | 30   |
| C062670412 | G - 26  | 28   | C120265002 | A - 27  | 2    | C159224001  | G - 19  | 28   | CS12699000 | G - 16  | 28   |
| C070696800 | D2 - 44 | 18   | C120448001 | H - 23  | 30   | C159486001  | H - 9   | 30   | CS13399001 | D1 - 58 | 16   |
|            | D2 - 49 | 18   | C122991001 | Z - 10  | 62   |             | H - 25  | 30   | CS15667001 | Sp      | 66   |
|            | D3 - 23 | 20   | C138843001 | Z - 49  | 62   | C159805001  | G - 12  | 28   | CS16492101 | Sp      | 66   |
| C076000600 | C1 - 15 | 6    | C141362001 | D1 - 34 | 16   |             | V2 - 15 | 60   | CS17974001 | Z - 114 | 64   |
| C076806606 | C1 - 20 | 6    | C142002001 | Z - 24  | 62   | C200190001  | Z - 76  | 64   | CS17975100 | Z - 115 | 64   |
| C081003670 | E - 15  | 22   | C142211001 | B - 25  | 4    | C213650001  | Z - 103 | 64   | CS20164001 | A - 33  | 2    |
| C081007070 | L - 17  | 38   | C142274101 | F - 47  | 24   |             | Z - 120 | 64   |            | A - 42  | 2    |
| C0A4261005 | S - 8   | 52   | C142443001 | Z - 17  | 62   | C218859001  | L - 18  | 38   | CS20356001 | C1 - 26 | 6    |
| C0A4300605 | V2 - 6  | 60   | C142721001 | Z - 26  | 62   |             | Q - 18  | 48   |            | D2 - 11 | 18   |
| C0A4300805 | S - 6   | 52   | C142990001 | Z - 47  | 62   | C228475000  | P - 27  | 46   |            | D2 - 52 | 18   |
|            | S - 14  | 52   | C142997001 | Z - 36  | 62   | C231071001  | J - 27  | 32   | CS23418001 | C2 - 62 | 10   |
|            | V2 - 9  | 60   | C144226001 | Z - 78  | 64   | C525567000  | F - 39  | 24   | CS23418002 | H - 15  | 30   |
|            | V2 - 13 | 60   | C144458001 | B - 29  | 4    |             | F - 55  | 24   | CS23651001 | B - 8   | 4    |
| C0A4401005 | S - 12  | 52   | C144588201 | Sp      | 66   | C525664000  | F - 41  | 24   |            | B - 11  | 4    |
| C0A5300606 | S - 10  | 52   | C145446001 | G - 13  | 28   |             | P - 25  | 46   |            | B - 14  | 4    |
| C0A5301605 | Q - 8   | 48   |            | G - 18  | 28   |             | P - 25  | 46   |            | B - 17  | 4    |
| C0A5401005 | P - 26  | 46   | C145446002 | H - 32  | 30   | C537060001  | M1 - 12 | 40   |            | B - 44  | 4    |
| C0A5401006 | C2 - 33 | 8    | C145465001 | B - 23  | 4    | C552907000  | F - 61  | 26   |            | D1 - 5  | 16   |
|            | F - 40  | 24   | C145519201 | Sp      | 66   | C554482000  | Q - 15  | 48   |            | D1 - 15 | 16   |
|            | F - 42  | 24   | C145547001 | F - 34  | 24   | C616167001  | M2 - 12 | 42   |            | E - 8   | 22   |
|            | Q - 4   | 48   | C145646019 | Sp      | 67   | C623033000  | D1 - 4  | 16   |            | H - 39  | 30   |
|            | Q - 9   | 48   | C146288001 | K - 22  | 36   | C625010000  | V1 - 9  | 58   |            | J - 2   | 32   |
|            | Q - 14  | 48   | C146354002 | J - 50  | 32   | CJ03955001  | S - 2   | 52   |            | J - 26  | 32   |
|            | Q - 17  | 48   | C148847001 | P - 21  | 46   | CJ03956001  | S - 4   | 52   | CS23849001 | C2 - 36 | 8    |
|            | V1 - 10 | 58   | C149097000 | K - 16  | 36   | CJ03957001  | S - 5   | 52   |            | C3 - 38 | 12   |
| C100136001 | G - 27  | 28   | C149287000 | Q - 3   | 48   | CJ03958001  | S - 7   | 52   |            | C4 - 21 | 14   |
| C100360003 | J - 67  | 34   | C149547000 | F - 38  | 24   | CJ04115001  | M1 - 11 | 40   | CS25235001 | B - 15  | 4    |
| C100401022 | H - 33  | 30   |            | Q - 2   | 48   |             | Wa      | 65   | CS25279001 | K - 14  | 36   |
| C100402004 | G - 14  | 28   | C149796001 | P - 16  | 46   | CJ04230001  | S - 11  | 52   | CS25310101 | D1 - 37 | 16   |
| C100887001 | Z - 21  | 62   | C150172003 | Z - 37  | 62   | CJ04303001  | S - 15  | 52   |            | F - 69  | 26   |
| C101572102 | Z - 19  | 62   | C150173003 | Z - 40  | 62   | CJ04388001  | S - 13  | 52   |            | J - 68  | 34   |
| C102630001 | D2 - 8  | 18   | C150174000 | Z - 38  | 62   | CJ04488001  | S - 9   | 52   | CS25454001 | K - 13  | 36   |
| C102707002 | L - 7   | 38   | C150179002 | Z - 41  | 62   | CJ080991001 | S - 1   | 52   | CS25456001 | K - 4   | 36   |
| C104449001 | A - 11  | 2    | C150182000 | Z - 31  | 62   | CS00400000  | F - 52  | 24   | CS25475101 | J - 33  | 32   |
| C104525101 | Sp      | 66   | C150183000 | Z - 46  | 62   | CS00470000  | Q - 16  | 48   | CS25634101 | R - 12  | 50   |
| C104567101 | F - 18  | 24   | C150185009 | Z - 48  | 62   | CS00705001  | J - 61  | 34   | CS31032001 | G - 11  | 28   |
| C104821001 | A - 5   | 2    | C150206002 | Z - 33  | 62   | CS02429201  | E - 17  | 22   |            | H - 34  | 30   |
|            | D3 - 31 | 20   | C150335001 | Z - 28  | 62   | CS02445001  | A - 34  | 2    | CS32462001 | D1 - 44 | 16   |
| C107415016 | Sp      | 67   | C151439102 | D1 - 59 | 18   | CS02652001  | J - 11  | 32   |            | J - 24  | 32   |
| C107606101 | Sp      | 66   | C152682201 | Sp      | 66   | CS02778002  | Z - 44  | 62   |            | J - 31  | 32   |
| C107779001 | Z - 20  | 62   | C152684101 | E - 20  | 22   | CS02787002  | Z - 45  | 62   |            | J - 40  | 32   |
| C107780001 | Z - 22  | 62   | C152686201 | Sp      | 66   | CS03677001  | K - 23  | 36   | CS32465001 |         |      |

## 索引 / INDEX

| CODE       | REF.NO | Page | CODE       | REF.NO | Page | CODE       | REF.NO | Page       | CODE       | REF.NO | Page |
|------------|--------|------|------------|--------|------|------------|--------|------------|------------|--------|------|
| CS37059001 | Wa     | 65   | CS55484002 | C3 -55 | 12   | CSA3294001 | H -14  | 30         | CSA3769001 | M2 -7  | 42   |
| CS37060001 | A -32  | 2    |            | C4 -39 | 14   | CSA3295001 | H -16  | 30         | CSA3770001 | M2 -8  | 42   |
|            | Wa     | 65   |            | C4 -44 | 14   | CSA3296001 | H -21  | 30         | CSA3771001 | M2 -9  | 42   |
| CS38168001 | T -3   | 54   |            | J -13  | 32   | CSA3297001 | H -22  | 30         | CSA3789101 | N -11  | 44   |
| CS38170001 | T -4   | 54   | CS55485001 | C3 -45 | 12   | CSA3298001 | H -28  | 30         | CSA3794001 | M2 -10 | 42   |
|            | V2 -17 | 60   |            | C4 -28 | 14   | CSA3299001 | H -29  | 30         | CSA3795001 | M2 -11 | 42   |
| CS38174000 | T -6   | 54   |            | C4 -33 | 14   | CSA3301101 | J -1   | 32         | CSA3796001 | M1 -15 | 40   |
|            | V2 -18 | 60   |            | K -25  | 36   | CSA3306001 | A -26  | 2          | CSA3797001 | M1 -4  | 40   |
| CS38175001 | T -7   | 54   | CS55663001 | Z -16  | 62   |            | J -15  | 32         | CSA3806001 | M1 -10 | 40   |
| CS38175101 | V2 -19 | 60   | CS59221201 | Sp     | 66   |            | L -16  | 38         | CSA3808001 | M1 -3  | 40   |
| CS38176101 | T -8   | 54   | CS59886001 | E -29  | 22   | CSA3307001 | J -8   | 32         | CSA3809001 | N -8   | 44   |
|            | V2 -20 | 60   | CSA0792001 | A -31  | 2    | CSA3309101 | J -16  | 32         | CSA3812001 | N -7   | 44   |
| CS38265000 | F -46  | 24   |            | Wa     | 65   | CSA3310001 | J -17  | 32         | CSA3813001 | N -1   | 44   |
| CS38648001 | Z -34  | 62   | CSA0793001 | A -31  | 2    | CSA3311001 | J -18  | 32         | CSA3816001 | N -6   | 44   |
| CS38713100 | B -33  | 4    |            | Wa     | 65   | CSA3312001 | J -28  | 32         | CSA3819001 | N -3   | 44   |
| CS39116100 | P -3   | 46   | CSA1174001 | D1 -49 | 16   | CSA3313101 | J -29  | 32         | CSA3822001 | N -2   | 44   |
| CS40214001 | Ga     | 68   | CSA1175001 | D1 -50 | 16   | CSA3315001 | J -21  | 32         | CSA3823001 | N -5   | 44   |
| CS40574209 | Z -29  | 62   | CSA1645019 | Sp     | 67   | CSA3317001 | J -36  | 32         | CSA3824001 | N -14  | 44   |
| CS41205001 | K -3   | 36   | CSA1752016 | Sp     | 67   | CSA3319101 | J -42  | 32         | CSA3825001 | N -4   | 44   |
| CS41206001 | K -2   | 36   | CSA1890201 | Sp     | 66   | CSA3320101 | J -46  | 32         | CSA3826001 | N -9   | 44   |
| CS42446001 | A -37  | 2    | CSA1967001 | K -11  | 38   | CSA3321001 | J -47  | 32         | CSA3827001 | N -10  | 44   |
|            | C2 -39 | 8    | CSA1984001 | H -12  | 30   | CSA3324001 | J -51  | 32         | CSA3828001 | N -13  | 44   |
|            | C2 -43 | 8    | CSA1988001 | H -26  | 30   | CSA3325001 | J -52  | 32         | CSA3831001 | R -2   | 50   |
|            | C2 -60 | 8    | CSA1994101 | H -31  | 30   | CSA3327101 | J -55  | 32         | CSA3833101 | R -3   | 50   |
| CS42843001 | Sp     | 67   | CSA2161001 | D1 -28 | 16   | CSA3330101 | J -58  | 34         | CSA4104001 | Z -92  | 64   |
|            | Ga     | 68   | CSA2173201 | Sp     | 66   | CSA3334001 | J -62  | 34         | CSA4143001 | G -15  | 28   |
| CS42844001 | Ga     | 68   | CSA2195001 | D1 -54 | 16   | CSA3335001 | J -63  | 34         | CSA4146001 | G -28  | 28   |
| CS42845001 | Ga     | 68   | CSA2287001 | K -15  | 36   | CSA3336001 | Ga     | 68         | CSA4146101 | Sp     | 67   |
| CS42846001 | Ga     | 68   | CSA2663001 | D1 -40 | 16   | CSA3336101 | Sp     | 66         | CSA4171001 | H -5   | 30   |
| CS42847001 | Ga     | 68   | CSA2958001 | B -20  | 4    | CSA3347001 | L -11  | 38         | CSA4172001 | B -4   | 4    |
| CS42848001 | Ga     | 68   | CSA2972001 | C2 -22 | 8    | CSA3348001 | L -14  | 38         | CSA4173001 | B -4   | 4    |
| CS42849101 | Ga     | 68   | CSA3200101 | A -23  | 2    | CSA3349001 | L -15  | 38         | CSA4174001 | B -4   | 4    |
| CS43225000 | V2 -4  | 60   | CSA3206001 | B -5   | 4    | CSA3384001 | Z -99  | 64         | CSA4175001 | B -4   | 4    |
| CS43236009 | R -9   | 50   |            | B -9   | 4    | CSA3385001 | Z -101 | 64         | CSA4177001 | B -10  | 4    |
| CS43674000 | R -10  | 50   | CSA3224001 | B -31  | 4    | CSA3387001 | Z -118 | 64         | CSA4178001 | B -13  | 4    |
| CS43675000 | R -11  | 50   | CSA3226001 | E -1   | 22   | CSA3392001 | Z -98  | 64         | CSA4179001 | B -6   | 4    |
| CS44010001 | A -40  | 2    | CSA3227001 | D1 -42 | 16   | CSA3395001 | Z -97  | 64         | CSA4180001 | B -7   | 4    |
| CS44483001 | Z -83  | 64   |            | E -2   | 22   | CSA3436001 | D2 -16 | 18         | CSA4199001 | E -18  | 22   |
| CS44484001 | Z -84  | 64   | CSA3228101 | E -3   | 22   | CSA3441001 | D2 -43 | 18         | CSA4224001 | C2 -64 | 10   |
| CS44485001 | Z -88  | 64   | CSA3231001 | C3 -13 | 12   |            | D2 -48 | 18         |            | D2 -58 | 18   |
| CS44633001 | Z -12  | 62   |            | C3 -31 | 12   |            | D3 -22 | 20         |            | D3 -28 | 20   |
|            | Sp     | 66   |            | C4 -18 | 14   | CSA3481001 | Q -7   | 48         | CSA4302001 | D1 -9  | 16   |
| CS44924001 | F -57  | 24   |            | E -5   | 22   | CSA3499001 | B -2   | 4          | CSA4333001 | G -3   | 28   |
| CS46903001 | J -19  | 32   | CSA3233001 | E -7   | 22   | CSA3503201 | F -8   | 24         | CSA4354001 | J -56  | 32   |
| CS47307001 | F -59  | 24   | CSA3238101 | E -14  | 22   | CSA3504201 | F -9   | 24         | CSA4510001 | N -12  | 44   |
| CS48189000 | F -29  | 24   | CSA3241001 | E -19  | 22   | CSA3519101 | T -1   | 54         | CSA4518001 | J -59  | 34   |
| CS48664001 | Sp     | 66   | CSA3242001 | F -56  | 24   | CSA3528001 | B -26  | 4          | CSA4519001 | J -60  | 34   |
| CS49448001 | Ga     | 68   | CSA3244001 | F -1   | 24   | J -69      | 34     | CSA4545001 | J -43      | 32     |      |
| CS49484000 | M1 -9  | 40   | CSA3246001 | F -30  | 24   | CSA3540001 | Z -7   | 62         | CSA4546001 | J -35  | 32   |
| CS49957000 | F -36  | 24   | CSA3250001 | G -1   | 28   |            | Z -106 | 64         | CSA4556001 | M1 -5  | 40   |
| CS49982000 | F -28  | 24   | CSA3254001 | G -6   | 28   | CSA3581001 | M1 -14 | 40         | CSA4563001 | R -4   | 50   |
| CS49992000 | F -19  | 24   | CSA3255001 | G -10  | 28   | CSA3707001 | C2 -53 | 8          | CSA4594001 | A -1   | 2    |
| CS50529000 | F -21  | 24   | CSA3256001 | G -17  | 28   |            | C2 -58 | 8          | CSA4596001 | A -3   | 2    |
| CS51282101 | Z -32  | 62   | CSA3257101 | Sp     | 67   | CSA3720001 | M1 -2  | 40         | CSA4597001 | A -6   | 2    |
| CS51283001 | Z -30  | 62   | CSA3258001 | G -21  | 28   | CSA3722001 | M1 -8  | 40         | CSA4598001 | A -8   | 2    |
| CS53175000 | F -24  | 24   | CSA3264001 | A -17  | 2    | CSA3739301 | M1 -6  | 40         | CSA4600001 | A -10  | 2    |
| CS53982000 | P -23  | 46   | CSA3274101 | F -58  | 24   | CSA3744001 | M1 -7  | 40         | CSA4601001 | A -12  | 2    |
| CS55479001 | C4 -13 | 14   | CSA3280001 | F -31  | 24   | CSA3755201 | M2 -1  | 42         | CSA4603101 | A -14  | 2    |
|            | Z -129 | 64   | CSA3283101 | E -40  | 22   | CSA3762001 | M2 -5  | 42         | CSA4604001 | A -25  | 2    |
| CS55482001 | C3 -40 | 12   | CSA3284101 | E -32  | 22   | CSA3765001 | M2 -2  | 42         | CSA4605001 | A -36  | 2    |
|            | C4 -23 | 14   | CSA3290001 | H -2   | 30   | CSA3766001 | M2 -3  | 42         | CSA4606001 | B -1   | 4    |
| CS55484002 | C2 -42 | 8    | CSA3291001 | H -4   | 30   | CSA3767001 | M2 -4  | 42         | CSA4608101 | B -12  | 4    |
|            | C3 -50 | 12   | CSA3293001 | H -11  | 30   | CSA3768001 | M2 -6  | 42         | CSA4609101 | B -16  | 4    |

## 索引 / INDEX

| CODE       | REF.NO | Page | CODE       | REF.NO | Page | CODE       | REF.NO | Page | CODE       | REF.NO | Page |
|------------|--------|------|------------|--------|------|------------|--------|------|------------|--------|------|
| CSA4622001 | B -28  | 4    | CSA4694001 | C3 -18 | 12   | CSA4764001 | D1 -11 | 16   | CSA4864001 | C4 -22 | 14   |
| CSA4624001 | B -42  | 4    | CSA4695001 | C3 -20 | 12   | CSA4765001 | D1 -13 | 16   | CSA4866101 | C3 -49 | 12   |
| CSA4626001 | B -37  | 4    | CSA4696001 | C3 -15 | 12   | CSA4766001 | D1 -16 | 16   | CSA4868101 | C4 -37 | 14   |
| CSA4627001 | B -38  | 4    | CSA4697001 | C3 -17 | 12   | CSA4767001 | D1 -17 | 16   | CSA4869101 | C4 -38 | 14   |
| CSA4628001 | B -39  | 4    | CSA4698001 | C3 -21 | 12   | CSA4768001 | D1 -18 | 16   | CSA4870101 | C4 -45 | 14   |
| CSA4629001 | B -40  | 4    | CSA4699001 | C3 -33 | 12   | CSA4769101 | D1 -19 | 16   | CSA4871101 | C4 -46 | 14   |
| CSA4630001 | B -45  | 4    | CSA4700001 | C3 -22 | 12   | CSA4770001 | D1 -21 | 16   | CSA5072001 | F -25  | 24   |
| CSA4635101 | C1 -4  | 6    | CSA4701001 | C3 -24 | 12   | CSA4771001 | D1 -27 | 16   | CSA5134001 | V2 -12 | 60   |
| CSA4636101 | C1 -7  | 6    | CSA4702001 | C3 -25 | 12   | CSA4772001 | D1 -22 | 16   | CSA5135001 | J -4   | 32   |
| CSA4637001 | C1 -2  | 6    | CSA4703001 | C3 -26 | 12   | CSA4773001 | D1 -23 | 16   | CSA5157001 | J -57  | 34   |
| CSA4638001 | C1 -18 | 6    | CSA4706101 | C3 -43 | 12   | CSA4775001 | D1 -38 | 16   | CSA5158001 | B -47  | 4    |
| CSA4639001 | C1 -14 | 6    |            | C4 -26 | 14   | CSA4776001 | D1 -43 | 16   | CSA5164001 | U -1   | 56   |
| CSA4640001 | C1 -12 | 6    | CSA4708001 | C3 -44 | 12   | CSA4777001 | D1 -26 | 16   | CSA5165001 | U -2   | 56   |
| CSA4641001 | C1 -9  | 6    | CSA4709001 | C3 -48 | 12   | CSA4778001 | D1 -47 | 16   | CSA5166001 | U -3   | 56   |
| CSA4642001 | C1 -22 | 6    |            | C4 C31 | 14   | CSA4779001 | D1 -32 | 16   | CSA5167001 | U -7   | 56   |
| CSA4643001 | C1 -25 | 6    |            | C4 C36 | 14   | CSA4780001 | D1 -35 | 16   | CSA5168001 | U -6   | 56   |
| CSA4647001 | C1 -27 | 6    | CSA4712001 | C3 C41 | 12   | CSA4781001 | D1 -33 | 16   | CSA5170001 | U -4   | 56   |
|            | C2 -4  | 8    |            | C4 C24 | 14   | CSA4782001 | E -4   | 22   | CSA5172001 | U -5   | 56   |
|            | C2 -7  | 8    | CSA4714001 | C3 -42 | 12   | CSA4783101 | E -10  | 22   | CSA5191001 | P -15  | 46   |
|            | C2 -14 | 8    |            | C4 -25 | 14   | CSA4785001 | F -2   | 24   | CSA5192001 | P -30  | 46   |
|            | D2 -27 | 18   | CSA4715001 | C3 -54 | 12   | CSA4786101 | F -7   | 24   | CSA5193001 | V1 -1  | 58   |
|            | D3 -10 | 20   |            | C4 -43 | 14   | CSA4787001 | F -4   | 24   | CSA51930E1 | V1 -1  | 58   |
| CSA4648001 | C1 -28 | 6    | CSA4717001 | C4 -2  | 14   | CSA4788001 | F -11  | 24   | CSA5194001 | V1 -7  | 58   |
| CSA4649001 | C1 -11 | 6    | CSA4719001 | C4 -5  | 14   | CSA4789101 | F -32  | 24   | CSA5201001 | V2 -1  | 60   |
| CSA4650001 | C1 -30 | 6    | CSA4720001 | C4 -7  | 14   | CSA4791101 | F -37  | 24   | CSA52010E1 | V2 -1  | 60   |
| CSA4651101 | C1 -32 | 6    | CSA4721001 | C4 -8  | 14   | CSA4795001 | H -1   | 30   | CSA5202001 | V2 -2  | 60   |
| CSA4652101 | C1 -33 | 6    | CSA4722001 | C4 -10 | 14   | CSA4798001 | H -20  | 30   | CSA52020E1 | V2 -2  | 60   |
| CSA4653001 | C2 -2  | 8    | CSA4723001 | C4 -11 | 14   | CSA4797101 | H -38  | 30   | CSA5203001 | V2 -5  | 60   |
| CSA4654001 | C2 -5  | 8    | CSA4724001 | C4 -12 | 14   | CSA4798001 | J -3   | 32   | CSA5204001 | V2 -8  | 60   |
| CSA4655101 | C2 -9  | 8    | CSA4725001 | C4 -27 | 14   | CSA4799001 | J -14  | 32   | CSA5205001 | V2 -10 | 60   |
|            | C2 -15 | 8    | CSA4726001 | C4 -32 | 14   | CSA4801001 | J -37  | 32   | CSA5206001 | V2 -11 | 60   |
| CSA4658001 | C2 -11 | 8    | CSA4729001 | D2 -1  | 18   | CSA4802001 | J -53  | 32   | CSA5208001 | K -1   | 36   |
| CSA4659001 | C2 -12 | 8    | CSA4731001 | D2 -3  | 18   | CSA4806001 | K -6   | 36   | CSA5210001 | Q -11  | 48   |
| CSA4661001 | C2 -13 | 8    | CSA4734001 | D2 -4  | 18   | CSA4811001 | Sp     | 67   | CSA5213001 | Q -24  | 36   |
| CSA4662001 | C2 -17 | 8    | CSA4736001 | D2 -6  | 18   |            | Ga     | 68   | CSA5214001 | Q -12  | 48   |
| CSA4663001 | C2 -18 | 8    | CSA4737001 | D2 -9  | 18   | CSA4816001 | V1 -2  | 58   | CSA5217001 | K -5   | 36   |
| CSA4664001 | C2 -19 | 8    | CSA4738001 | D2 -15 | 18   | CSA48160E1 | V1 -2  | 58   | CSA5218001 | K -8   | 36   |
| CSA4665001 | C2 -20 | 8    | CSA4739001 | D2 -17 | 18   | CSA4817001 | V1 -3  | 58   | CSA5219001 | K -17  | 36   |
| CSA4666001 | B -30  | 4    | CSA4741101 | D2 -18 | 18   | CSA4818001 | V1 -4  | 58   | CSA5221001 | Sp     | 66   |
| CSA4667101 | C2 -24 | 8    |            | D3 -1  | 20   | CSA4819001 | V1 -6  | 58   |            | Ga     | 68   |
| CSA4671001 | C2 -25 | 8    | CSA4742001 | D2 -19 | 18   | CSA4820201 | C2 -50 | 8    | CSA5222001 | Ga     | 68   |
| CSA4672001 | C2 -26 | 8    |            | D3 -2  |      |            |        |      |            |        |      |

索引 / INDEX

| CODE       | REF.NO  | Page | CODE | REF.NO | Page | CODE | REF.NO | Page | CODE | REF.NO | Page |
|------------|---------|------|------|--------|------|------|--------|------|------|--------|------|
| CSA6207001 | A - 18  | 2    |      |        |      |      |        |      |      |        |      |
| CSA6210001 | D2 - 42 | 18   |      |        |      |      |        |      |      |        |      |
|            | D3 - 21 | 20   |      |        |      |      |        |      |      |        |      |
| CSA6211001 | F - 43  | 24   |      |        |      |      |        |      |      |        |      |
| CSA6216001 | E - 12  | 22   |      |        |      |      |        |      |      |        |      |
| CSA6220001 | E - 16  | 22   |      |        |      |      |        |      |      |        |      |
| CSA6260001 | F - 51  | 24   |      |        |      |      |        |      |      |        |      |
| CSA6261001 | Z - 128 | 64   |      |        |      |      |        |      |      |        |      |
| CSA6263001 | F - 50  | 24   |      |        |      |      |        |      |      |        |      |
| CSA6272001 | A - 15  | 2    |      |        |      |      |        |      |      |        |      |
| CSA6273001 | J - 70  | 34   |      |        |      |      |        |      |      |        |      |
| CSA6306001 | C2 - 61 | 8    |      |        |      |      |        |      |      |        |      |
| CSA6359001 | C2 - 29 | 8    |      |        |      |      |        |      |      |        |      |
| CSA6360001 | C2 - 30 | 8    |      |        |      |      |        |      |      |        |      |
| CSA6361001 | C2 - 31 | 8    |      |        |      |      |        |      |      |        |      |
| CSA6364001 | M1 - 1  | 40   |      |        |      |      |        |      |      |        |      |
| CSA6389001 | L - 9   | 38   |      |        |      |      |        |      |      |        |      |
| CSA6391001 | G - 5   | 28   |      |        |      |      |        |      |      |        |      |
| CSA6397001 | J - 62  | 34   |      |        |      |      |        |      |      |        |      |
| CSA6398001 | J - 62  | 34   |      |        |      |      |        |      |      |        |      |
| CSA6405001 | P - 17  | 46   |      |        |      |      |        |      |      |        |      |
| CSA6405002 | P - 28  | 46   |      |        |      |      |        |      |      |        |      |
| CSA6406001 | P - 18  | 46   |      |        |      |      |        |      |      |        |      |
| CSA6406002 | P - 29  | 46   |      |        |      |      |        |      |      |        |      |
| CSA6407001 | P - 19  | 46   |      |        |      |      |        |      |      |        |      |
| CSA6434001 | C2 - 40 | 8    |      |        |      |      |        |      |      |        |      |
| CSA6435001 | C2 - 41 | 8    |      |        |      |      |        |      |      |        |      |
| CSA6441001 | A - 41  | 2    |      |        |      |      |        |      |      |        |      |
| CSA6450101 | C2 - 65 | 10   |      |        |      |      |        |      |      |        |      |
| CSA6451101 | C2 - 67 | 10   |      |        |      |      |        |      |      |        |      |
| CSA6495001 | V2 - 16 | 60   |      |        |      |      |        |      |      |        |      |
| CSA64950E1 | V2 - 16 | 60   |      |        |      |      |        |      |      |        |      |
| CSA6560101 | Q - 20  | 48   |      |        |      |      |        |      |      |        |      |
| CSA6572001 | F - 62  | 26   |      |        |      |      |        |      |      |        |      |
| CSA6573001 | P - 10  | 46   |      |        |      |      |        |      |      |        |      |
| CSA6576001 | F - 16  | 24   |      |        |      |      |        |      |      |        |      |
| CSA6577001 | F - 60  | 26   |      |        |      |      |        |      |      |        |      |
| CSA6578001 | F - 26  | 24   |      |        |      |      |        |      |      |        |      |
| CSA6579001 | F - 53  | 24   |      |        |      |      |        |      |      |        |      |
| CSA6580001 | F - 14  | 24   |      |        |      |      |        |      |      |        |      |
| CSA6581001 | F - 63  | 26   |      |        |      |      |        |      |      |        |      |
| CSA6582001 | F - 67  | 26   |      |        |      |      |        |      |      |        |      |
| CSA6583001 | F - 64  | 26   |      |        |      |      |        |      |      |        |      |
| CSA6584001 | F - 68  | 26   |      |        |      |      |        |      |      |        |      |
| CSA6593001 | F - 13  | 24   |      |        |      |      |        |      |      |        |      |
| CSA6628001 | V2 - 3  | 60   |      |        |      |      |        |      |      |        |      |